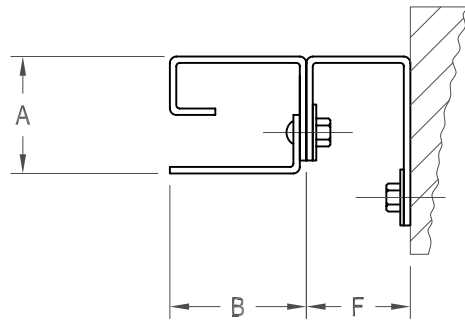
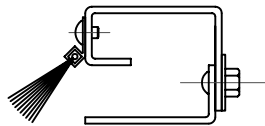


FACE MOUNT



BETWEEN JAMB MOUNT



TYPICAL GUIDE WITH UL LISTED BRUSH SEAL FOR COUNTER FIRE DOORS AND S-LABEL DOORS

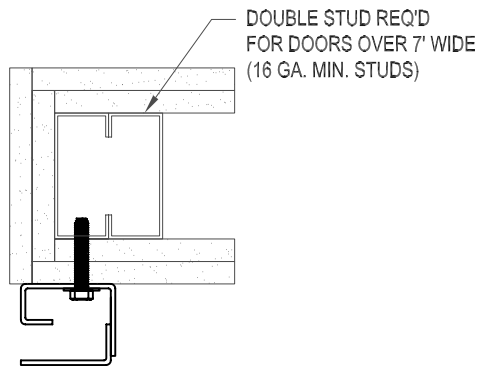
TYPICAL DIMENSIONS

DOOR WIDTH	A	B	E *	F
TO 4' #	2"	2 1/4"	1 1/2"	2"
OVER 4' TO 7' #	2"	2 5/8"	1 1/2"	2"
OVER 7' TO 16'	2"	3 1/8"	1 1/2"	2"

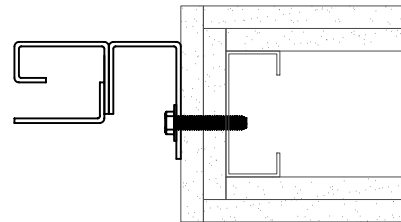
# USE THE OVER 7' TO 16' CLEARANCES FOR ALL 4-HOUR RATED DOORS  
 \* GUIDES MUST BE SET BACK FOR A 2 1/4" MINIMUM E-DIMENSION ON MASONRY JAMBS.  
 ALL DIMENSIONS SHOWN ARE MINIMUM REQUIRED. ALL DIMENSIONS SHOWN ARE APPROXIMATE.

### NON - MASONRY JAMBS

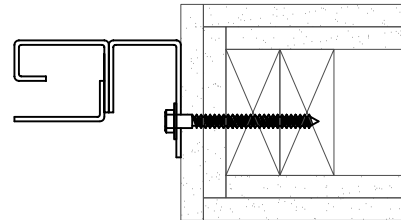
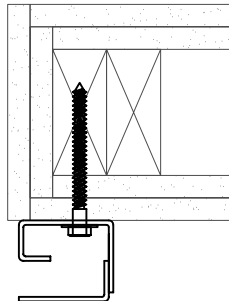
#### FACE MOUNT



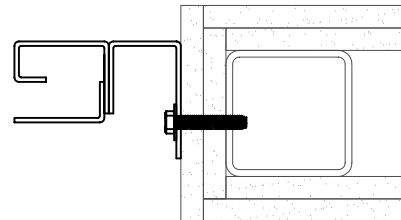
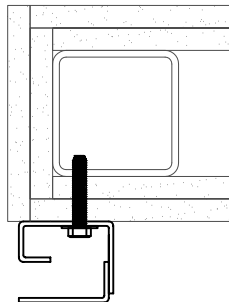
#### BETWEEN JAMB MOUNT



### METAL STUD JAMBS



### WOOD STUD JAMBS



### STEEL TUBE JAMBS

#### NOTES:

1. GUIDE SET BACK MAY BE REQUIRED FOR PROPER WALL BOLT LOCATION.
2. REFER TO NON-MASONRY JAMB SCHEDULE FOR ADDITIONAL INFORMATION.