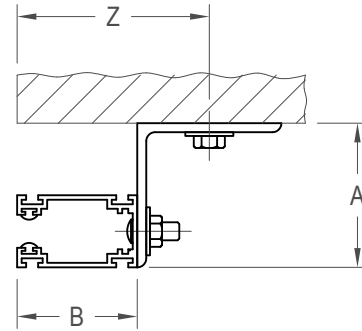
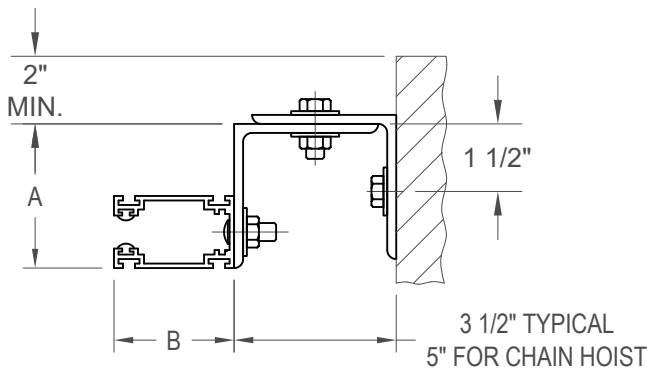


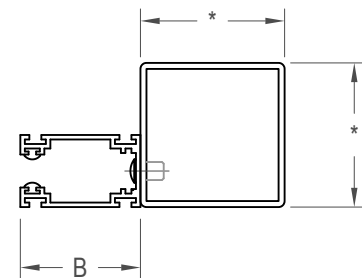
FACE MOUNT E-GUIDE
NON-MASONRY JAMBS



FACE MOUNT Z-GUIDE
MASONRY JAMBS



BETWEEN JAMB MOUNT



TUBE MOUNT

* 3" x 3" TUBE FOR GRILLES TO 20' WIDE, 11' HIGH
4" x 4" TUBE ON LARGER GRILLES TO 30' WIDE, 16' HIGH
CONSULT FACTORY FOR TUBE SIZE ON GRILLES OVER
30' WIDE, 16' HIGH

TYPICAL DIMENSIONS

GRILLE WIDTH	A [#]	B	E	Z
TO 30'	3"	2 1/2"	1 1/2"	4"

[#] A DIMENSION INCREASES AS GRILLE SIZE INCREASES TO A MAXIMUM OF 6".
ALL DIMENSIONS SHOWN ARE MINIMUM REQUIRED. ALL DIMENSIONS SHOWN ARE APPROXIMATE.
CONSULT FACTORY FOR LARGER SIZE GRILLES.