

**REVIEW ALL INSTRUCTIONS COMPLETELY BEFORE ATTEMPTING INSTALLATION****GENERAL NOTES:**

- Instructions are intended for trained door systems technicians using proper tools and equipment.
- The terms "door" and "doors" apply generally to Fire Doors and Counter Fire Doors. If an instruction refers to a specific type, it will be noted as such.
- S-Label air leakage rated doors should be automatic closing upon activation by an alarm system or detector(s).
- Ultimate acceptability of any S-label air leakage rated door is the decision of the Authority Having Jurisdiction.
- Sealants provided may be clear or colored, depending on type and availability – exercise care to apply sealants as neatly as possible to minimize any appearance issues.
- Refer to installation instructions also provided with the fire door or counter fire door.

**INSTALLATION:**

**NOTE:** S-Label air leakage rated doors require the combination of factory supplied UL Listed brush seals and heat resistant sealants. Any door provided with a supplemental S-Label must be installed accordingly to provide the proper air leakage rating.

- 1) UL Listed brush seals must be installed on the guides.
- 2) UL Listed brush seals must be installed on the header or fascia.
- 3) Heat resistant sealants (rated to 400 deg. F. minimum) must be applied to the top and side edges of the door around the perimeter of the opening and intersecting/overlapping edges of the door components. Sealants must be applied to the full length of all vertical and horizontal edges and connections listed.

**NOTE:** These items are not necessarily listed in the order in which they may need to be done. Determine the best order prior to starting installation of the door - based on specific door type and field conditions - to insure adequate access to properly and completely seal these items. Refer to the illustrations following.

For face of wall mount doors

- Wall angles to the wall\*
- Guide channels or angles to the wall angles
- Guide brush seal retainers to the guide channels or angles
- Guide assembly bolts to the guide channels or angles and wall angles
- Header brush seal retainer to the wall

For doors mounted between the jambs and/or below the header

- Filler angles, shapes, or tubes to the jambs\*
- Wall angles to the filler angles, shapes or tubes
- Guide channels or angles to the wall angles
- Guide brush seal retainers to the guide channels or angles
- Guide assembly bolts to the guide channels or angles and wall angles
- Fascia mounting angles (if provided) to the jambs
- Fascia to the header and mounting angles
- Header brush seal retainer to the fascia
- Fascia and header brush seal retainer mounting bolts/screws

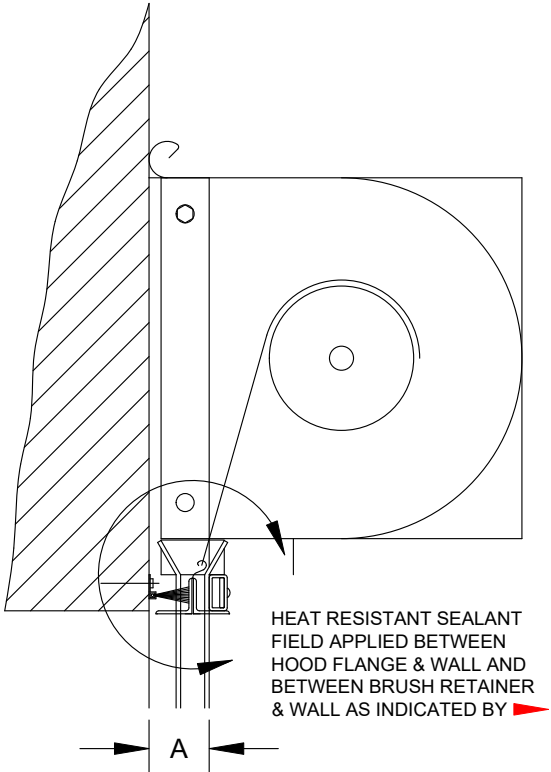
For tube mounted doors (in front of rated wall construction)

- Tube supports to the wall
- Guide channels or angles to the tube supports
- Guide brush seal retainers to the guide channels or angles
- Guide assembly bolts to the guide channels or angles and wall angles
- Header brush seal retainer to the header/wall

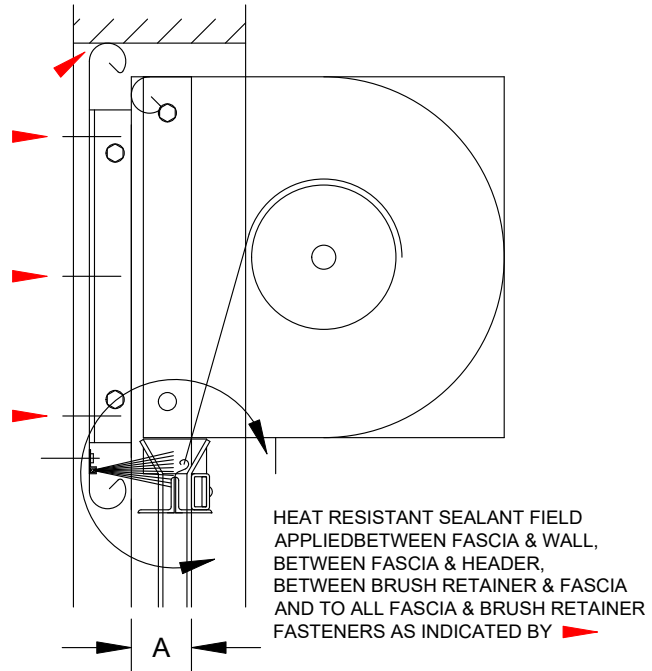
\*If doors are face of wall or between jamb mount to tube supports, then sealant must also be applied between the wall/filler angles and the tube supports, and between the tube supports and the wall.

**NOTE:** Refer to sealants container/packaging for specific application requirements, directions, cautions, and other pertinent information. An approximately 1/8" bead of caulking is adequate, unless there are larger gaps to be filled.

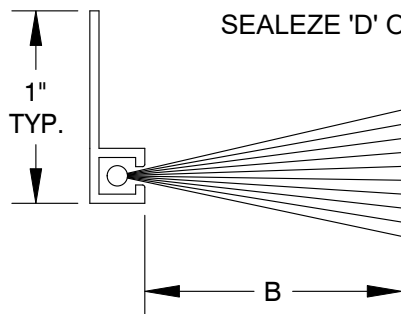
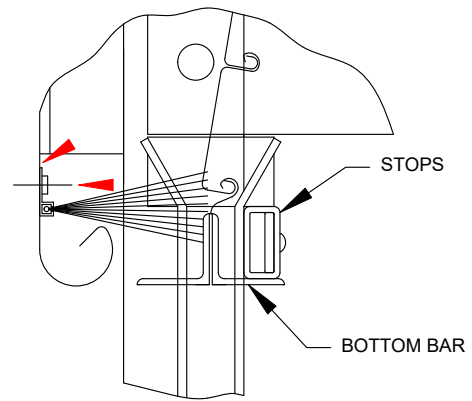
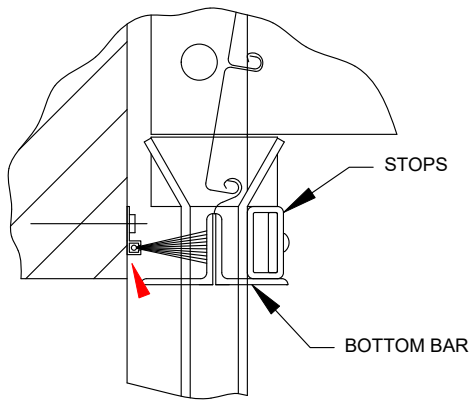
# S-LABEL AIR LEAKAGE RATED "SMOKE" DOOR



FACE MOUNT



BETWEEN JAMB MOUNT



SEALEZE 'D' OR 'G' SERIES OR EQUAL

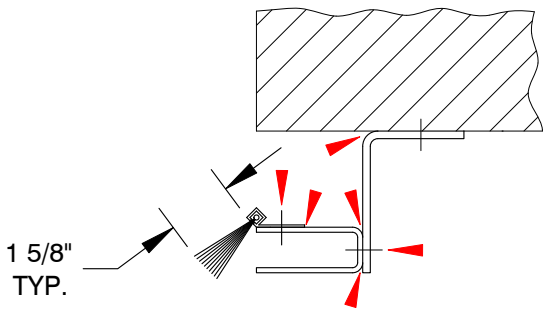
"A" - WALL ANGLE	"B" - BRUSH PROJECTION
2 1/2"	1 5/8"
3"	2"
3 1/2"	2"
4"	3"
5"	4"

## NOTES:

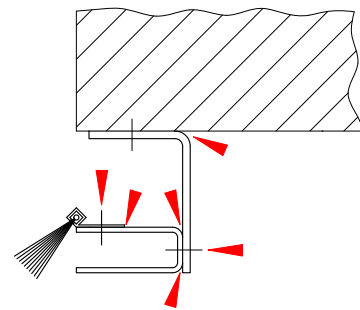
- 1) HEADER BRUSH ATTACHES TO HEADER/FASCIA W/ APPROPRIATE FASTENERS  
24" O.C. MAX. (BRUSH MUST BE INSTALLED ABOVE BOTTOM BAR)

# S-LABEL AIR LEAKAGE RATED "SMOKE" DOOR

## SL, ML, HL & IL GUIDE CONFIGURATION

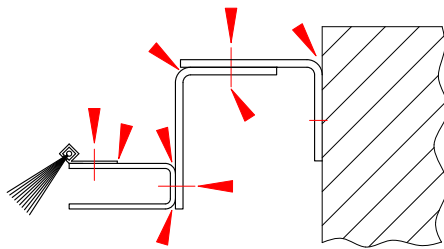


FACE MOUNT  
TYPE 'Z' GUIDE

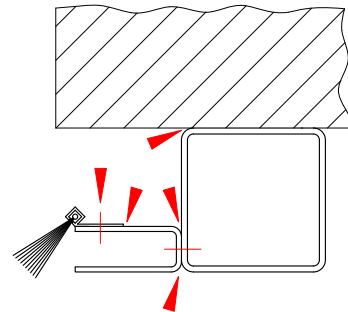


FACE MOUNT  
TYPE 'E' GUIDE

SEALEZE 'D' SERIES  
OR EQUAL

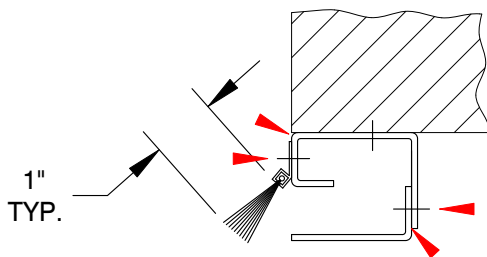


BETWEEN JAMB MOUNT

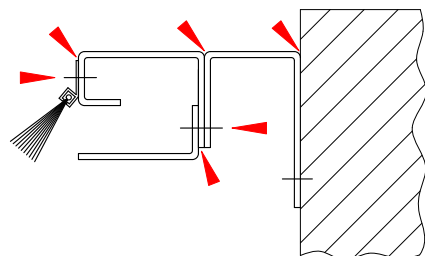


TUBE MOUNT  
(OPTIONAL)

## CL GUIDE CONFIGURATION



FACE MOUNT



BETWEEN JAMB MOUNT

SEALEZE 'J' SERIES  
OR EQUAL

### NOTES:

- 1) HEAT RESISTANT SEALANT FIELD APPLIED BETWEEN WALL ANGLE & WALL, BETWEEN GUIDE CHANNEL (OR ANGLE) & WALL ANGLE, AND AT ALL GUIDE BOLTS AS INDICATED BY
- 2) HL, IL ANGLE GUIDE ASSEMBLY IS SIMILAR
- 3) GUIDE BRUSH ATTACHED TO GUIDE W/ 1/8" MIN SCREWS OR RIVETS @ 12" O.C. MAX.