

GENERAL NOTE:

- The terms “door” and “doors” apply generally to High Performance Doors and Grilles. If an instruction refers to a specific type, it will be noted as such.

OPERATION INSTRUCTIONS



WARNING! – A **moving door** can cause death or serious injury.

Keep clear of the doorway while the door is moving.

- Operate the door only when the doorway is in sight and clear of people and obstructions.
- Do NOT allow children to operate the door, or play on, near, or with the door.



WARNING! – **Releasing the door operator brake, or loosening or removing any part of the drive system, can cause the door to move uncontrolled** and cause death or serious injury.

- Adjustments and repairs must be made by a trained door systems technician using proper tools and instructions.
- Do NOT release the brake, or loosen or remove any part of the drive system, unless the barrel is secured to prevent rotation.

Motor operated door: Activate the “OPEN” or “UP” control to open – activate the “CLOSE” or “DOWN” control to close. Use the “STOP” control to stop travel of the door curtain between the open and closed positions.

(Push the button or insert and turn the key to move the door curtain in the direction indicated.)

NOTES:

- 1) Most push-button control stations and key stations include a “STOP” button. If not, the control station should be wired to require maintained pressure on the “OPEN” and “CLOSE” control for the door curtain to move. Letting go of the button or key will stop the travel of the door curtain between the open and closed positions.
- 2) A monitored sensing edge is provided to reverse the door upon sensing an obstruction during closing. If a fault in the monitored sensing system is detected, the door will either stay in or return to the open position if closing. The operator will revert to a constant pressure close function to allow temporary operability of the door until the fault condition is corrected.
- 3) Secondary optical sensing devices are provided in addition to the sensing edge to reverse the door upon sensing an obstruction in the opening during closing.
- 4) High Performance Grilles are also provided with an optical sensor near the top of the grille to stop the grille upon sensing an obstruction while the grille is opening. This feature is provided in an effort to reduce injury to a person who – even though they should not be – may be holding onto the curtain while the grille is opening.
- 5) In the event of a loss of power, motor operators that are equipped with an auxiliary chain hoist will allow for emergency manual operation of the door by pulling on the hand chain in one direction to open the door and in the opposite direction to close the door. When not in use, the hand chain is intended to be stored in the chain bag attached to the motor operator (when provided). Exercise caution when operating the door and maintain control of it.

MAINTENANCE INSTRUCTIONS



WARNING! – Releasing the door operator brake, or loosening or removing any part of the drive system, can cause the door to move uncontrolled and cause death or serious injury.

- Adjustments and repairs must be made by a trained door systems technician using proper tools and instructions.
- Do NOT release the brake, or loosen or remove any part of the drive system, unless the barrel is secured to prevent rotation.

NOTE: High performance doors and grilles do not have counterbalance springs. Releasing the brake on the motor operator, or loosening or removing any part of the motor operator drive system, can cause the curtain to uncoil and free-fall if open.

Lubrication: Bearings are grease-packed and sealed, requiring no further maintenance. Guides are provided with UHMW wear strips and do not require lubrication. Roller chain and sprockets periodically may require a light lubricant. Other components should not normally require lubrication.

The use of heavy oil or grease as a lubricant is not recommended because they are likely to attract dirt and debris that can result in a build-up, and potentially worsen the condition lubrication was supposed to resolve.

Inspection: At least every 6 months, all doors must be inspected for anything that might impair operation or pose a hazard, such as but not limited to:

- Loose bolts and screws
- Damaged, worn, or missing parts
- Misaligned, loose, or worn drive components
- Binding or obstructed movement of the curtain in the guides

Also verify:

- Proper function of any related equipment (controls, accessories, etc.)
- Sensing devices are tested frequently
- Warning labels are attached the door as follows:
 - L70011 Guide Label is attached to the guide (or to the wall if the guides are concealed) at eye level on the operating side of the door
 - L70027 Operator Label is attached to the operating bracket

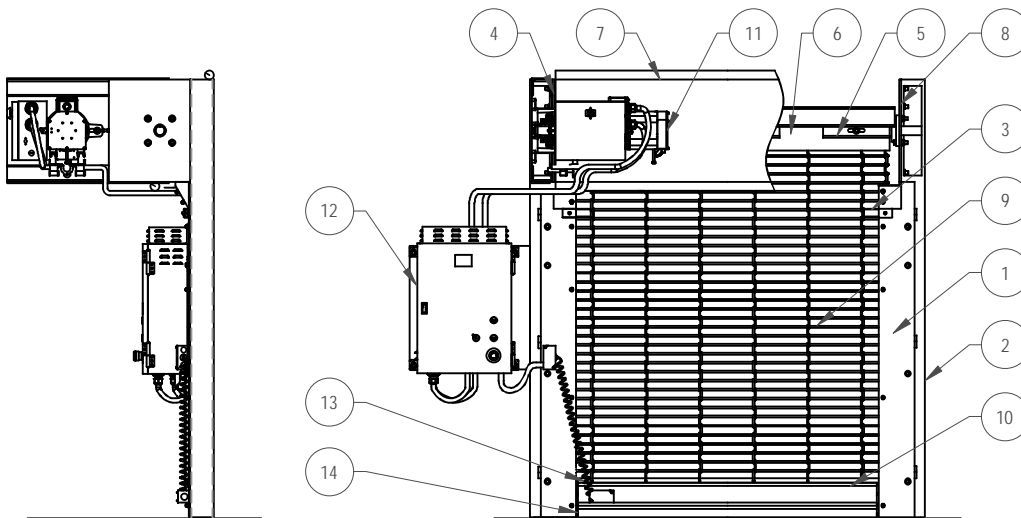
Defective conditions: Any defective conditions that are found during inspection or testing must be corrected. If any warning labels are missing or not legible, contact Lawrence Doors for replacement labels.

Adjustments and repairs: If adjustments and repairs become necessary, they must be made by a trained door systems technician using proper tools and instructions.

Replacement parts: Replacement parts are available from Lawrence Doors through an authorized dealer and often available from stock.

NOTE: If excessive wear or damage to any component(s) is observed, a trained door systems technician must evaluate the condition and perform all necessary adjustments and repairs.

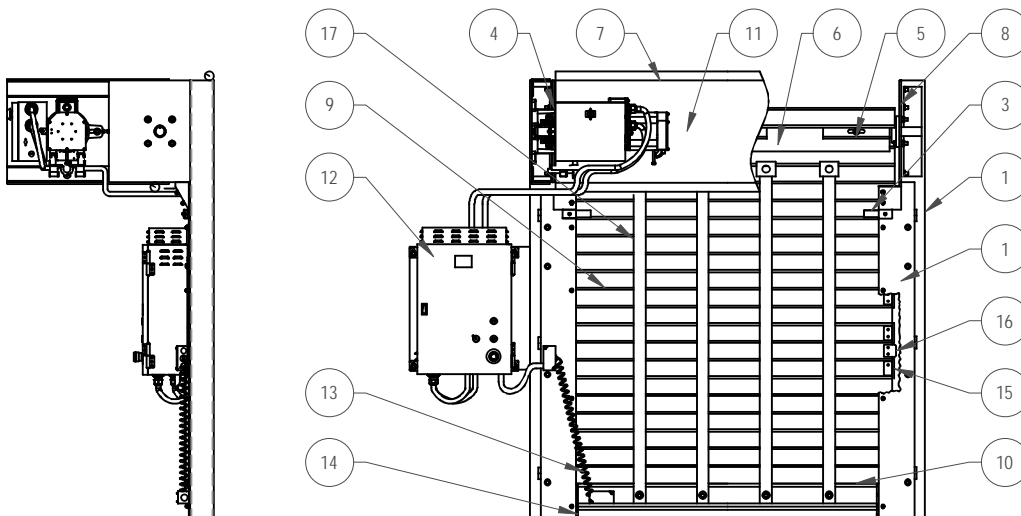
PG HIGH PERFORMANCE GRILLE



NO.	DESCRIPTION
1	GUIDE
2	WALL TUBE
3	CURTAIN STOP
4	DRIVE BRACKET
5	LEAD SLAT
6	BARREL
7	HOOD (OPTIONAL)
8	IDLE BRACKET
9	GRILLE CURTAIN
10	BOTTOM BAR
11	MOTOR OPERATOR
12	CONTROL PANEL
13	EDGE KIT
14	SENSING EDGE

NOTE: SECONDARY OPTICAL SENSORS NOT SHOWN

PD HIGH PERFORMANCE DOOR

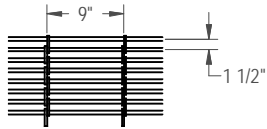


NO.	DESCRIPTION
1	GUIDE
2	WALL TUBE
3	CURTAIN STOP
4	DRIVE BRACKET
5	LEAD SLAT
6	BARREL
7	HOOD
8	IDLE BRACKET
9	SLAT CURTAIN
10	BOTTOM BAR
11	MOTOR OPERATOR
12	CONTROL PANEL
13	EDGE KIT
14	SENSING EDGE
15	ENDLOCKS
16	DELTRIN BLOCKS
17	SCRATCH GUARDS

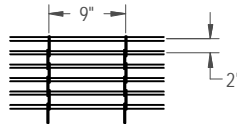
NOTE: SECONDARY OPTICAL SENSORS NOT SHOWN

GRILLE PATTERNS

FOR MODELS:
PG



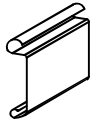
HL9 Curtain
2-Hole Heavy Link



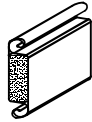
CL9 Curtain
2-Hole Compact Link
(Stainless Steel)

SLAT TYPES

FOR MODELS:
PD



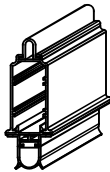
Type '3' Flat Slat
2 1/2" x 3/4"



Type '33' Insulated Slat
2 1/2" x 7/8"

BOTTOM BAR

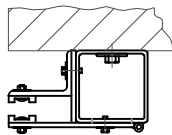
FOR MODELS:
PG, PD



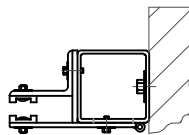
Tubular Bottom Bar

GUIDES

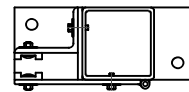
FOR MODELS:
PG, PD



Face Mount



Jamb Mount



Tube mount
(Base plate configuration
may vary)