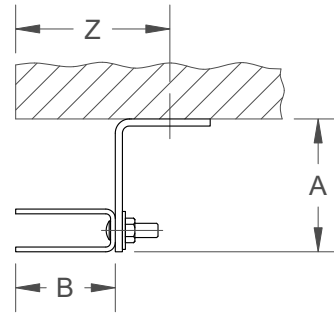
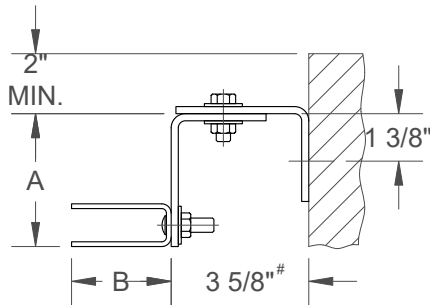


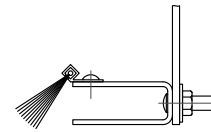
FACE MOUNT E-GUIDE
NON-MASONRY JAMBS



FACE MOUNT Z-GUIDE
MASONRY JAMBS



BETWEEN JAMB MOUNT
(4" OVER 17' TO 24' WIDE)



TYPICAL UL LISTED BRUSH GUIDE SEAL
FOR S-LABEL FIRE DOORS

SL, ML & HL FIRE DOORS

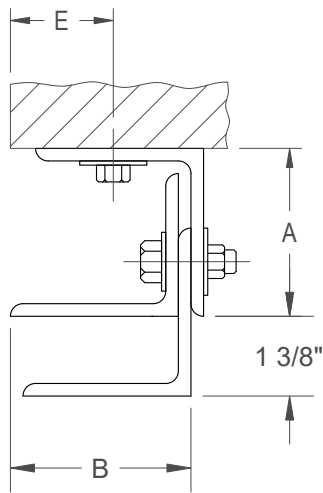
DOOR WIDTH	A ^{##}	B	E	Z
TO 8' [*]	3 1/2"	2 5/8"	1 3/8"	4 1/8"
OVER 8' TO 12'	3 1/2"	3 1/8"	1 7/8"	4 5/8"
OVER 12' TO 14'	3 1/2"	3 5/8"	2 3/8"	5 1/8"
OVER 14' TO 16'	3 1/2"	3 3/4"	2 1/8"	5 1/2"
OVER 16' TO 17'	3 1/2"	4 1/4"	2 5/8"	6"
OVER 17' TO 20'	3 1/2"	4 1/4"	2 1/4"	6 1/2"
OVER 20' TO 24'	3 1/2"	4 3/4"	2 3/4"	7"

^{##} A DIMENSION INCREASES AS DOOR HEIGHT INCREASES TO A MAXIMUM OF 6" ON HL FIRE DOORS
^{*} USE NEXT CATEGORY FOR 4-HOUR RATED DOORS DEPENDING ON LAYERS OF DRYWALL, FACE MOUNT E GUIDES MAY NEED TO BE SET BACK AT EACH JAMB FOR SECURE ATTACHMENT OF WALL BOLT
 ALL DIMENSIONS SHOWN ARE MINIMUM REQUIRED
 ALL DIMENSIONS SHOWN ARE APPROXIMATE

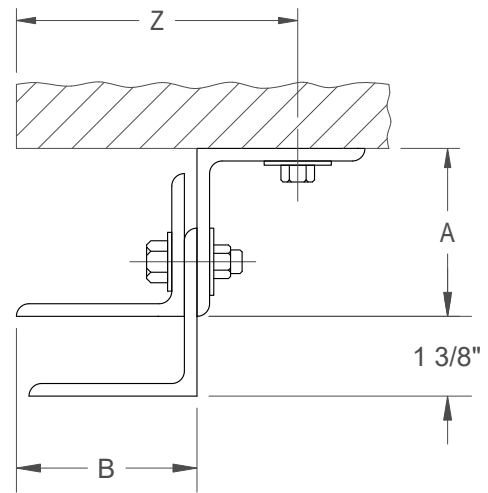
IL INSULATED FIRE DOORS

DOOR WIDTH	A ^{##}	B	E	Z
TO 10'	3 1/2"	3 1/8"	1 7/8"	4 5/8"
OVER 10' TO 14'	3 1/2"	3 3/4"	2 3/8"	5 1/4"
OVER 14' TO 16'	3 1/2"	3 3/4"	2 1/8"	5 1/2"
OVER 16' TO 17'	3 1/2"	4 1/4"	2 5/8"	6"
OVER 17' TO 20'	3 1/2"	4 1/4"	2 1/4"	6 1/2"
OVER 20' TO 24'	3 1/2"	4 3/4"	2 3/4"	7"

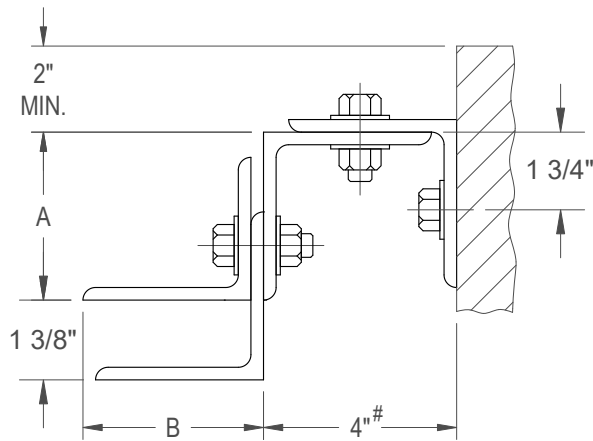
^{##} A DIMENSION INCREASES AS DOOR HEIGHT INCREASES TO A MAXIMUM OF 6" ON IL INSULATED FIRE DOORS DEPENDING ON LAYERS OF DRYWALL, FACE MOUNT E GUIDES MAY NEED TO BE SET BACK AT EACH JAMB FOR SECURE ATTACHMENT OF WALL BOLT
 ALL DIMENSIONS SHOWN ARE MINIMUM REQUIRED
 ALL DIMENSIONS SHOWN ARE APPROXIMATE



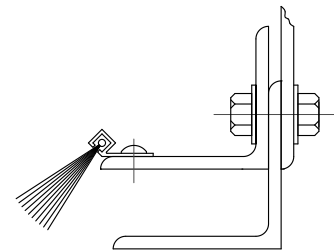
FACE MOUNT E-GUIDE
NON-MASONRY JAMBS



FACE MOUNT Z-GUIDE
MASONRY JAMBS



BETWEEN JAMB MOUNT
#(4 1/2" OVER 28' TO 30' WIDE)



TYPICAL UL LISTED BRUSH GUIDE SEAL
FOR S-LABEL FIRE DOORS

TYPICAL DIMENSIONS

DOOR WIDTH	A##	B	E	Z
OVER 24' TO 28'	3 1/2"	5 1/4"	3 3/4"	7"
OVER 28' TO 30'	4"	6 1/4"	4 1/2"	8 1/4"

##A DIMENSION INCREASES AS DOOR HEIGHT INCREASES TO A MAXIMUM OF 6"
ALL DIMENSIONS SHOWN ARE MINIMUM REQUIRED. ALL DIMENSIONS SHOWN ARE APPROXIMATE.
CONSULT FACTORY FOR LARGER DOOR SIZES