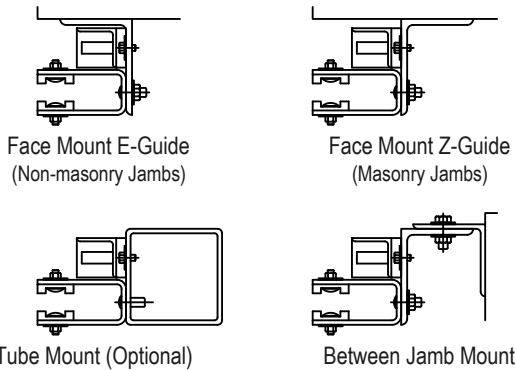
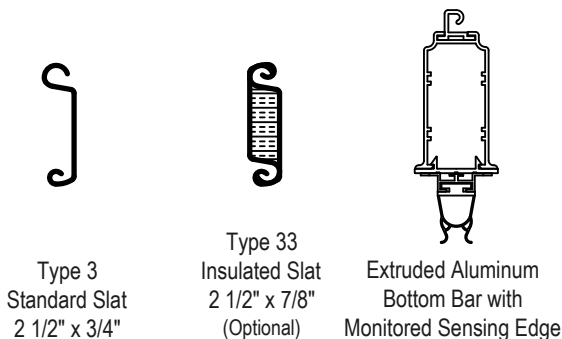


GUIDE DETAILS



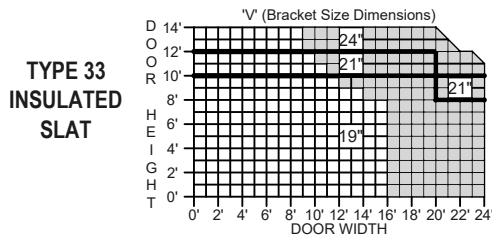
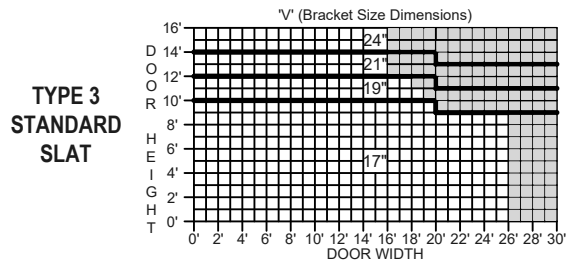
CURTAIN & BOTTOM BAR DETAILS



CLEARANCES

	TS	MS	B	L
Non-shaded area	8"	8"	18"	24"
Shaded area	8"	12"	22"	36"

Consult factory for Tube Mount dimensions.



GENERAL NOTES:

Clearances are based upon standard door construction. Some options may require additional clearance. Shop drawings for specific applications are available. Consult factory for larger doors and any information not shown.