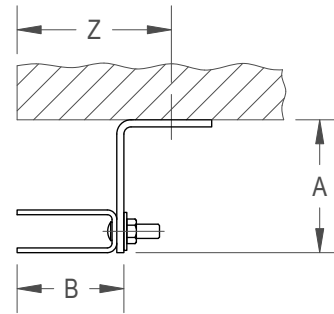
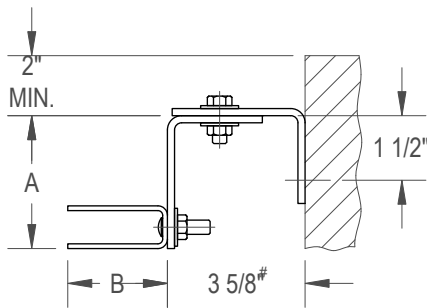


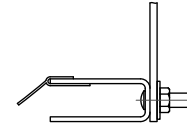
FACE MOUNT E-GUIDE
NON-MASONRY JAMBS



FACE MOUNT Z-GUIDE
MASONRY JAMBS



BETWEEN JAMB MOUNT
#(5 1/8" FOR CAST CHAIN HOIST)



TYPICAL GUIDE WEATHERSTRIP
FOR WEATHER-EDGE AND
INSULATED DOORS

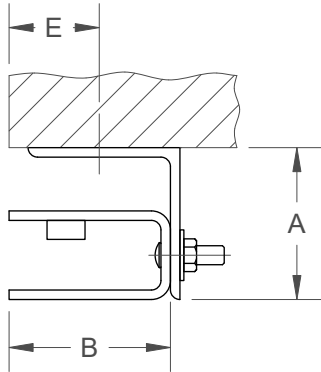
TYPICAL DIMENSIONS

S SERIES SD	DOOR WIDTH	A	B	E	Z
	TO 10'	2 1/2"	2 5/8"	1 1/4"	4 1/8"
OVER 10' TO 14'	2 1/2"	3 1/8"	1 3/4"	4 5/8"	

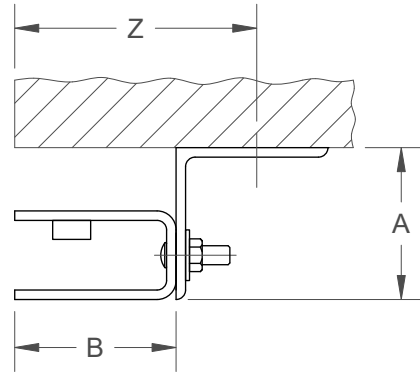
M SERIES MD MW	DOOR WIDTH	A	B	E	Z
	TO 10'	2 1/2"	2 5/8"	1 1/4"	4 1/8"
OVER 10' TO 14'	2 1/2"	3 1/8"	1 3/4"	4 5/8"	

M SERIES MI	DOOR WIDTH	A	B	E	Z
	TO 14'	3 1/2"	2 5/8"	1 1/4"	4 1/8"
OVER 14' TO 20'	3 1/2"	3 1/8"	1 3/4"	4 5/8"	

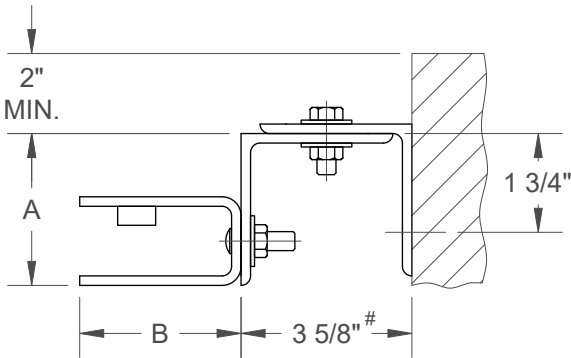
A DIMENSION INCREASES AS DOOR HEIGHT INCREASES TO A MAXIMUM OF 6" ON H SERIES DOORS.
 *HD, HW AND HI DOORS OVER 16' WIDE AND OVER 320 SQ. FT. INCLUDE WINDLOCKS - SEE GUIDE DETAILS FOR DOORS WITH WINDLOCKS.
 E AND Z DIMENSIONS CAN BE ADJUSTED +/- 1/2" BY PLACEMENT OF WALL BOLT THROUGH HORIZONTAL SLOT.
 ALL DIMENSIONS SHOWN ARE MINIMUM REQUIRED. ALL DIMENSIONS SHOWN ARE APPROXIMATE.



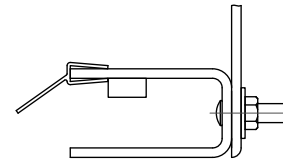
FACE MOUNT E-GUIDE
NON-MASONRY JAMBS



FACE MOUNT Z-GUIDE
MASONRY JAMBS



BETWEEN JAMB MOUNT
#(5 1/8" FOR CAST CHAIN HOIST)



TYPICAL GUIDE WEATHERSTRIP
FOR WEATHER-EDGE AND
INSULATED DOORS

TYPICAL DIMENSIONS

M SERIES	DOOR WIDTH	A##	B	E	Z
MD MW	OVER 20' TO 24'	2 1/2"	3 1/4"	1 3/4"	5"
H SERIES	DOOR WIDTH	A##	B	E	Z
HD HW HI HV	OVER 20' TO 24'	3"	3 1/4"	1 3/4"	5"
	OVER 24' TO 30'	3"	3 3/4"	2 1/4"	5 1/2"

A DIMENSION INCREASES AS DOOR HEIGHT INCREASES TO A MAXIMUM OF 3" ON M SERIES DOORS
6" ON H SERIES DOORS.

E AND Z DIMENSIONS CAN BE ADJUSTED +/- 1/2" BY PLACEMENT OF WALL BOLT THROUGH HORIZONTAL SLOT.
ALL DIMENSIONS SHOWN ARE MINIMUM REQUIRED. ALL DIMENSIONS SHOWN ARE APPROXIMATE.
CONSULT FACTORY FOR LARGER SIZE DOORS.