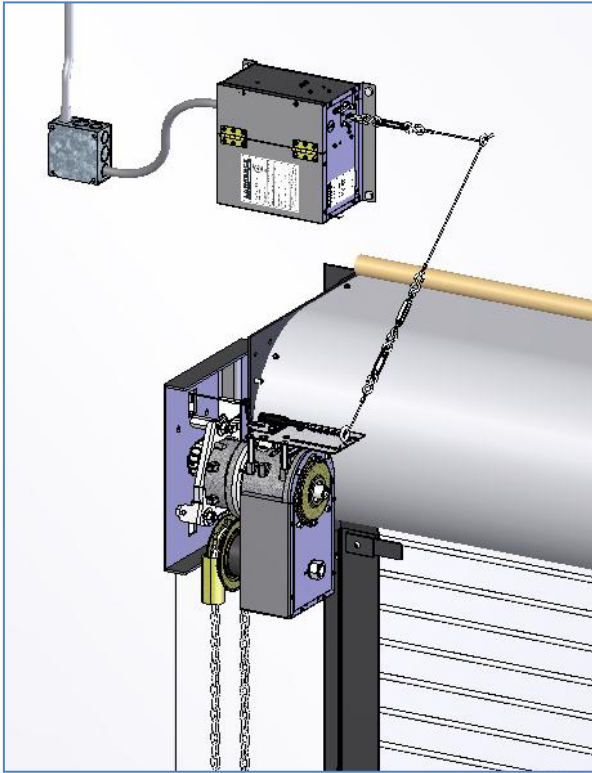


The Lawrence AR-D2 is a failsafe time delayed fire door release device with battery backup. A constantly energized solenoid causes a fire door to close after a preset time delay upon an initiation signal from a fire alarm control panel or local detectors. An internal battery backup system prevents door closing due to a power loss for up to 7-days, as well as supporting local detectors and warning devices powered by it.



AR-D2 Alarm Release shown with "Easy-Reset" Chain Operated Fire Door

Standard Features

- Listed by UL and California State Fire Marshal (CSFM)
- UL864 compliant without the need for an uninterruptible power supply
- For use on new or existing manual or motor operated roll-up or sliding fire doors
- Powered by either building current, fire alarm control panel or UL1481 power supply
- Initiated by either fire alarm control panel or local detectors
- Time delayed release (approx. 10 seconds) upon initiation
- 7-day battery support of release functions, and up to 4 smoke detectors and warning devices powered by it
- External test button and LED indicators for AC power, close limit, latching and arming status, and for battery charging and battery power status
- Simplified installation with "Set-Tie" system to secure release latch until power is connected

Optional Features

- Audible, visible or voice warning devices (annunciators) activated upon initiation to warn of impending fire door closing
- Closed position detection to prevent release of a fire door that is already closed (when connected to a compatible motor operator limit switch or external proximity switch)

Mounting

- Standard wall mount for right-side pull
- Can be rotated 90° for bottom-pull, or 180° for left-side pull (with indicator lights/test button on top), or ceiling mount
- Must be installed with UL Listed fusible links
- For use in indoor locations – Max. 122° F [50° C] to Min. 23° F [-5° C] non-icing, <85% non-condensing humidity
- Supports up to 50 lbs. maximum pull (supporting structure and anchoring must be adequate for total weight of release and max. pull – approx. 75 lbs.)
- Approximate overall dimensions 11" W x 10" H x 6" D

Electrical Characteristics

- Universal input voltage: 100~240VAC - 60Hz or 50Hz, 24VAC/DC
- Standby/full load amps: 115VAC - 0.4/0.7, 230VAC - 0.3/0.5, 24VAC/DC - 0.6/1.1 (Full load current only required for optional warning devices)
- Battery backup power: 12VDC - 12AH (supports 2-wire smoke detectors and annunciators)
- Initiation signal: Form C dry contact, 24VAC/DC (Max. impedance 12.2 ohms)
- Wire: 18 gauge recommended

IMPORTANT NOTES

1. Detectors that are not powered by the AR-D2, uninterruptible power supply, or other source with backup power, will cause the door to close upon a loss of power after a 10 second delay.
2. Warning & closed position features function only when power is present.

Accessories



Voice Warning



Audible / Visible Warnings



Detectors

AR-D2 is a suitable replacement for most existing release devices – verify compatibility with input voltage, initiation signal, and any ancillary devices.