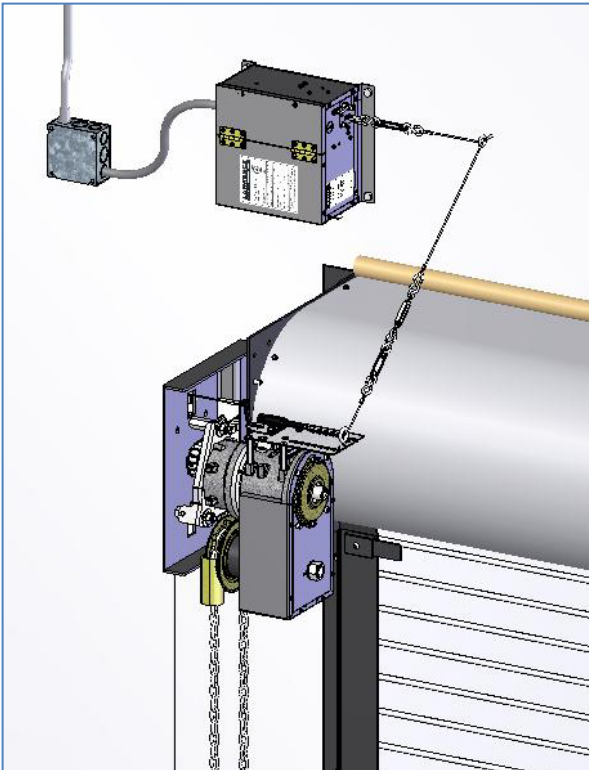


The Lawrence Model AR-D is a failsafe time delayed fire door release device with a constantly energized solenoid that will cause a fire door to close after a preset time delay upon either a loss of power or an initiation signal from local detectors or fire alarm control panel.



AR-D Alarm Release shown with "Easy-Reset" Chain Operated Fire Door

### Standard Features

- Listed by UL and California State Fire Marshal (CSFM)
- UL864 (9<sup>th</sup> edition) compliant device without the need for battery back-up
- For use on new or existing manual or motor operated roll-up or sliding fire doors
- Powered by either building current, fire alarm control panel or UL1481 power supply
- Initiated by either local detectors or fire alarm control panel
- Time delayed (approx. 10 seconds) release upon initiation or power loss
- External test button with power & door open indicator lights
- Simplified installation with "Set-Tie" system to secure release latch until power is connected

### Optional Features

- Audible/visible or voice warning devices (2 max.) activated upon initiation to warn of impending fire door closing
  - Closed position detection to prevent release of a fire door that is already closed (when connected to a compatible motor operator limit switch or external proximity switch)
- NOTE: Warning & closed position features function only when power is present*
- Available as Model AR-D2 with 7-day battery backup and additional features

### Mounting

- Standard wall mount for right-side pull
- Can be rotated 90° for bottom-pull or 180° for left-side pull (test button/indicator lights on top), or ceiling mount
- Must be installed with UL Listed fusible links
- For use in indoor locations – Max. 122° F [50° C] to Min. 23° F [-5° C] non-icing, 85% non-condensing humidity
- Supports up to 50 lbs. maximum pull (supporting structure and anchoring must be adequate to support total weight of release and max. pull – approx. 65 lbs.)
- Approximate overall dimensions 11" W x 10" H x 6" D

### Electrical Characteristics

- Input voltage [standby/full load current]: 115VAC [0.5/0.6A], 24VAC [0.5/0.8A] or 24VDC [0.2/0.4A]  
(Full load current only required for optional warning devices)
- Output voltage: 24VDC - 1.0A (for up to 1 minute with 48 ft. maximum wire length)
- Initiation signal: Form C dry contact, 24VAC or 24VDC (.08A min. for 5.16 ohms max. impedance)
- Wire: 18 gauge recommended

The AR-D is a suitable replacement for most existing release devices – verify compatibility with input voltage, initiation signal, and any ancillary devices.