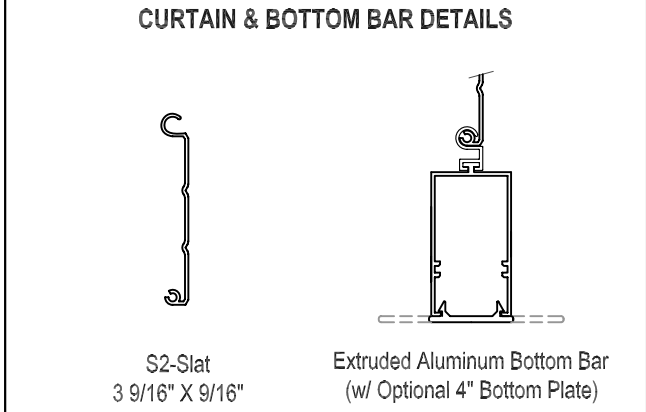
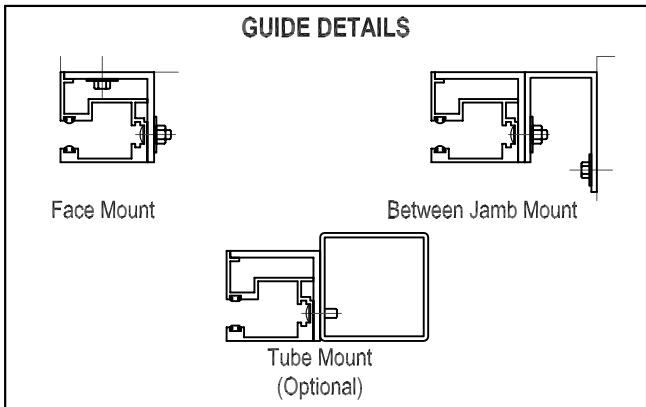
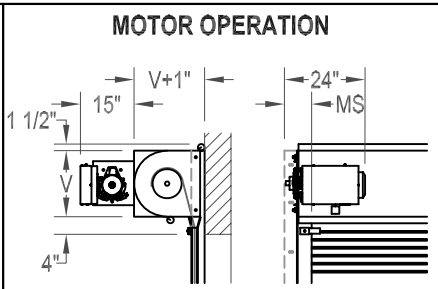
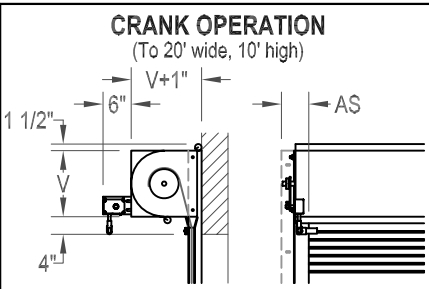
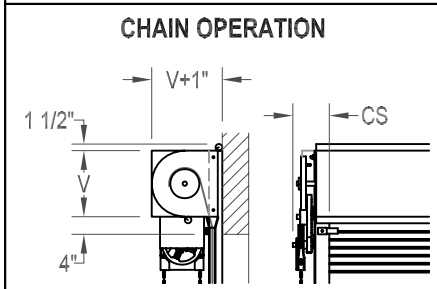


PUSH-UP OPERATION
(To 14' wide, 10' high)

Left hand operation is as shown - right hand operation is opposite

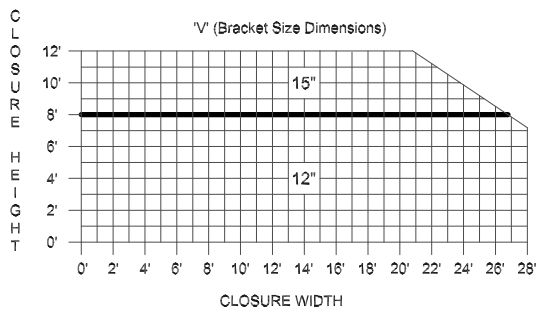
Elevation and section shown are for typical face mount closures



CLEARANCES

Closure Width "W"	TS	PS	CS	AS	MS
To 28'	5"	5"	7 1/2"	5"	5"

Add 1/2" to dimensions for face mount on masonry jambs.
Add 3/4" to dimensions for between jamb mount closures over 25' wide or over 200 sq. ft.



GENERAL NOTES:
Clearances are based upon standard closure construction. Reduced clearances may be available. Some options may require additional clearance. Shop drawings for specific applications are available. Consult factory for any information not shown.