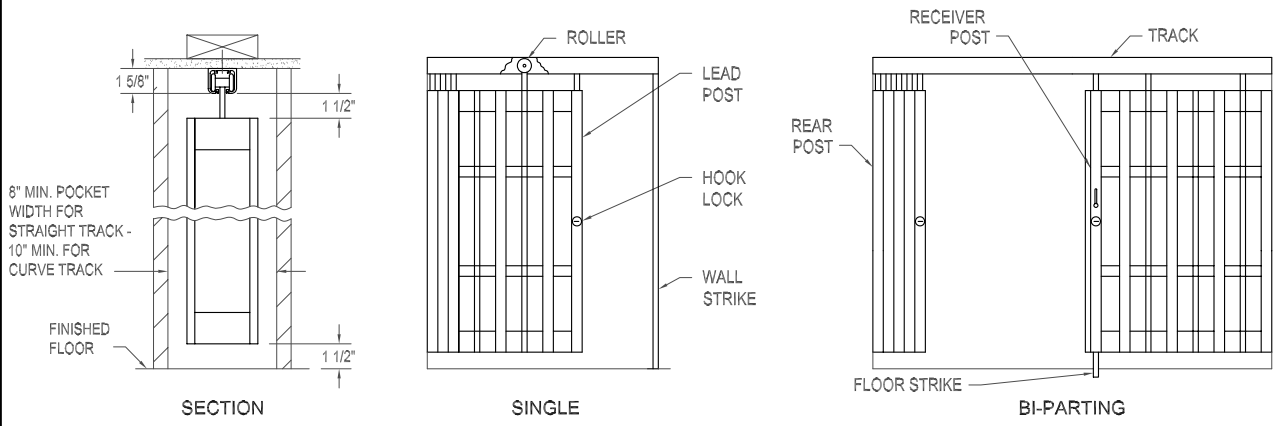
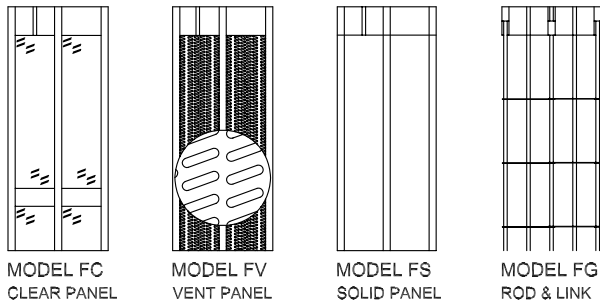


### CLOSURE DETAILS

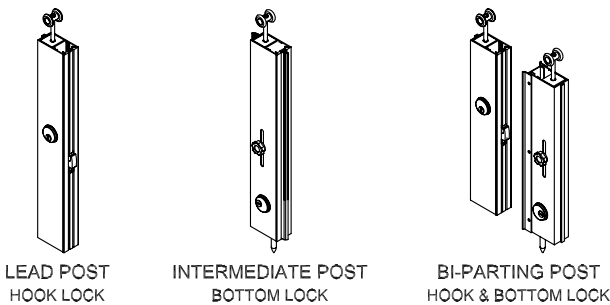
MODEL FO - OPEN PANEL SHOWN



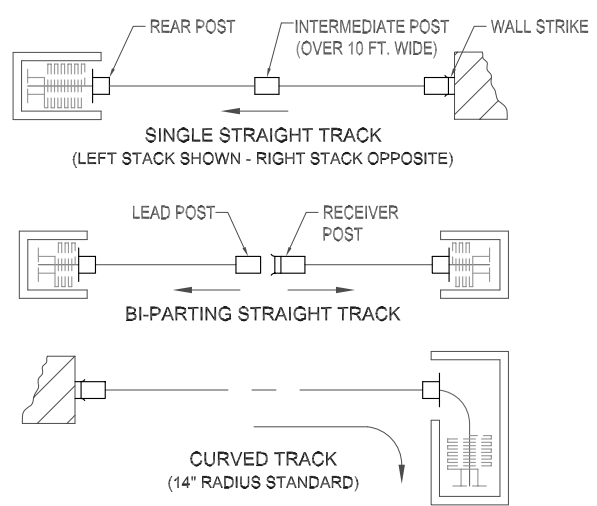
### CURTAIN DETAILS



### LOCKING DETAILS

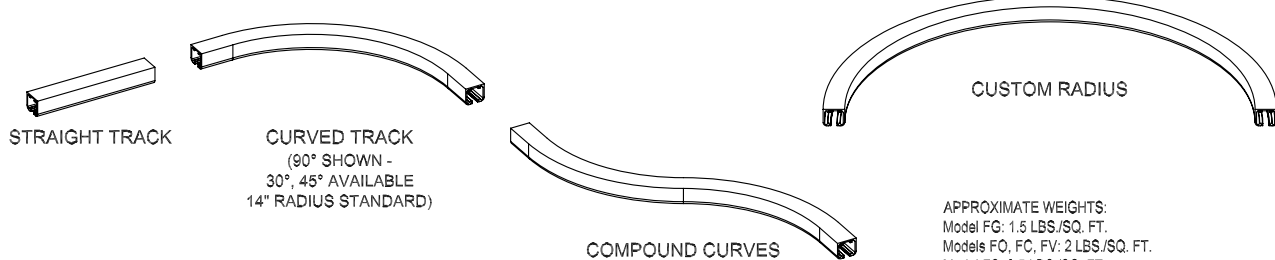


### MOUNTING DETAILS



APPROXIMATE STACKING CLEARANCES:  
 Closures to 10' wide - 1" per ft. of width + 10"  
 Closures over 10' to 20' wide - 1" per ft. of width + 15"  
 Closures over 20' wide are provided in multiple floating sections with stacking clearances as noted above.  
 NOTE: Add 5" for each extra post that may be required in addition to what is provided standard (such as at corners, for additional locking, etc.).

### TRACK DETAILS (Other configurations, radius & bends are also available)



GENERAL NOTES:  
 Clearances are based upon standard construction. Reduced clearances may be available. Some options may require additional clearance.  
 Shop drawings for specific applications are available. Consult factory for any information not shown.

APPROXIMATE WEIGHTS:  
 Model FG: 1.5 LBS./SQ. FT.  
 Models FO, FC, FV: 2 LBS./SQ. FT.  
 Model FS: 2.5 LBS./SQ. FT.  
 NOTE: Header should be constructed to carry the entire weight of the closure at any point in its travel.