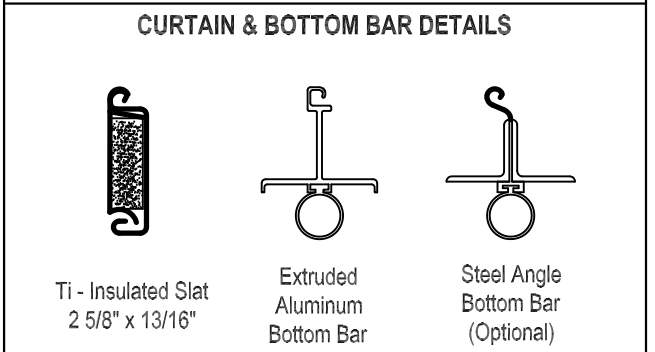


### CLEARANCES

Door Width "W"	TS	CS	MS
To 14'	6"	7 1/2"	6"
Over 14' to 20'	6 1/2"	8"	6 1/2"

For Between Jamb Mount, add 1/4" to dimensions.  
Consult factory for Tube Mount dimensions.

V	T
15"	3 1/2"
17"	4 1/2"
19"	4 1/2"
21"	4 1/2"



**GENERAL NOTES:**  
Clearances are based upon standard door construction. Reduced clearances may be available. Some options may require additional clearance. Shop drawings for specific applications are available. Consult factory for any information not shown.