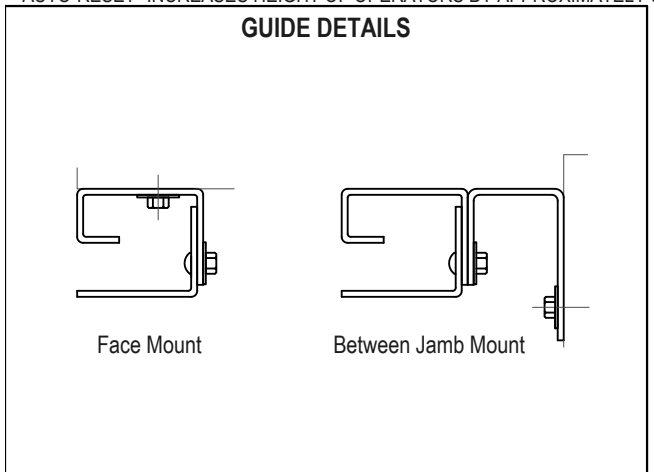


\*"AUTO-RESET" INCREASES HEIGHT OF OPERATORS BY APPROXIMATELY 3"



**CLEARANCES**

Door Width "W"	TS	PS	AS	MS
To 4' #	4 1/2"	4 1/2"	4 1/2"	4 1/2"
Over 4' to 7' #	5"	5"	5"	5"
Over 7' to 16'	5 1/2"	5 1/2"	5 1/2"	5 1/2"

For face mount to non-masonry jambs with more than 1 layer of drywall,  
With 2 layers, add 1/2" to dimensions  
With 3 layers, add 1" to dimensions  
For face mount to masonry jambs, add 3/4" to dimensions.  
For between jamb mount, deduct 1/4" from dimensions.  
# Use the over 7' to 16' clearances for 4-hour rated doors.

**Bottom Bar**

Bottom Bar	T
Angle	2"
Tubular	3"

**DOOR HEIGHT vs DOOR WIDTH**

"V" (Bracket Size Dimensions - Includes Expansion Clearance)

DOOR HEIGHT	DOOR WIDTH	Bracket Size
10'	13'	13"
8'	12 1/2'	12 1/2"
6'	10 1/2'	10 1/2"

**GENERAL NOTES:**  
Clearances are based upon standard door construction. Reduced clearances may be available. Some options may require additional clearance. Shop drawings for specific applications are available. Consult factory for any information not shown.

