


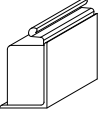
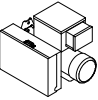




SPECIFICATIONS

UL File No. R2820 • CSFM Listing No. 3515-1587:100 • FM Approved

- MAXIMUM SIZE** 16 ft. wide, 10 ft. high, 120 sq. ft.
- CLASSIFICATION** Underwriters Laboratories Classified (UL) and Certified for Canada (c-UL), California State Fire Marshal Listed (CSFM)
- LABEL** UL/c-UL Fire Door Label to 12 ft. wide, 10 ft. high, UL/c-UL Oversize Door Label on larger sizes
- RATING** Fire rated up to 3 hours on interior or exterior masonry or non-masonry walls
- CURTAIN** Interlocking 22 gauge galvanized steel or stainless steel Type 'F' flat slats with endlocks riveted to alternate slats
- BOTTOM BAR** One 2" x 2" x 1/8" steel or stainless steel angle
- GUIDES** Formed 12 gauge steel or stainless steel shapes bolted together and to wall with 3/8" fasteners no more than 24" apart
- BARREL** 4 1/2" steel pipe and solid steel shaft with sealed bearing and torsion spring(s) designed for 10,000 operating cycles
- BRACKETS** 1/8" min. steel plates with sealed bearing on operator side and external tension adjustment wheel
- HOOD** 24 gauge galvanized steel or stainless steel
- OPERATION** Push-up to 12 ft. wide, 8 ft. high, 84 sq. ft., awning crank on larger sizes *NOTE: "Easy-Reset" or "Auto-Reset" crank and motor operated doors close automatically without a loss of spring tension and eliminate the need for traditional mechanical reset*
- RELEASE** Fusible link activated single-side release, governor controlled descent with average closing speed between 6" and 24" per second
- LOCKS** Slide locks on coil side of bottom bar
- FINISH** Baked-on primer and top coat on galvanized steel slats and hood - tan opposite coil side/off-white coil side, or grey both sides - shop painted black primer on steel bottom bar, guides and brackets - brushed finish on stainless steel slats, bottom bar, guides and hood
- WARRANTY** One year limited warranty (excluding finish)

COMMON OPTIONS

-  S-label for air-leakage rated "smoke" doors
-  FM Approval on doors fire rated up to 4 hours
-  Flame baffle
-  Tubular bottom bar
-  FGRL motor operator with AR-C Auto-Reset Conversion Module
-  AR-D fail safe time delayed alarm release or AR-D2 alarm release with 7-day battery backup
-  Audible, visible and voice warning devices

OTHER OPTIONS

- Labeled stainless steel counter tops
- Sill angles
- UL listed brush seals (included with S-label)
- Galvanized or powder coat finishes

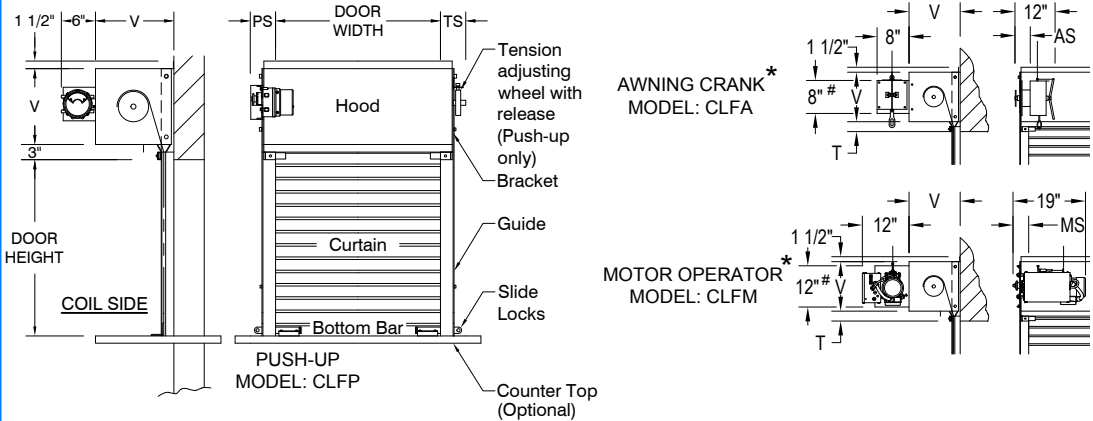
CURTAIN & BOTTOM BAR DETAILS



GUIDE DETAILS



CLEARANCES (typical face mount door shown)



PS	CS	AS	MS	TS
6"	6"	6"	6"	6"

Add 1" for doors over 7 ft. wide face mount to masonry or 3 hr. drywall construction
 'V' for doors to 6 ft. high is 10 1/2"
 'V' for doors over 6 ft. high is 13"
 ('V' dimension includes required expansion clearance)

GENERAL NOTES:

Clearances are based upon standard door construction. Reduced clearances may be available. Some options may require additional clearance. Shop drawings for specific applications are available. Consult factory for any information not shown.

* Available as an option # "Auto-Reset" increases height of operator by approximately 3"