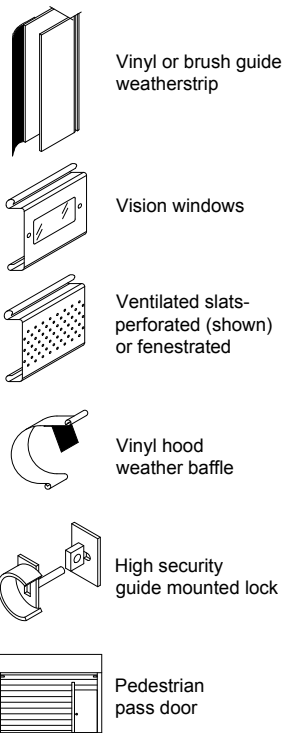


SPECIFICATIONS

CURTAIN	Interlocking galvanized steel Type 'T' flat slats - 22 gauge to 16 ft. wide, 20 gauge over 16 ft. wide - with endlocks riveted to alternate slats and windlocks riveted to slats when required by 20 PSF windload design
BOTTOM BAR	Two 2" x 2" x 1/8" min. steel angles with vinyl weatherstrip
GUIDES	Formed 3/16" steel U-channel guides and 3/16" min. steel wall angles bolted together and to wall with 3/8" fasteners 24" apart
BARREL	6 5/8" min. steel pipe and solid steel shaft with sealed precision bearing and torsion spring(s) designed for 50,000 operating cycles (20,000 cycles on doors over 30 ft. wide, 16 ft. high)
BRACKETS	3/16" min. steel plates with sealed precision bearing on operator side and external tension adjustment wheel
HOOD	24 gauge min. galvanized steel
OPERATION	Push-up to 8 ft. wide and 8 ft. high, chain hoist with cast iron reduction gears on larger sizes
LOCKS	Slide locks on coil side of bottom bar
FINISH	Baked-on primer and top coat on slats and hood - tan opposite coil side/off-white coil side, or grey both sides - shop painted black primer on bottom bar, guides and brackets
WARRANTY	Two year limited warranty (excluding finish)

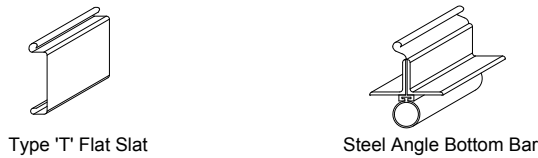
COMMON OPTIONS



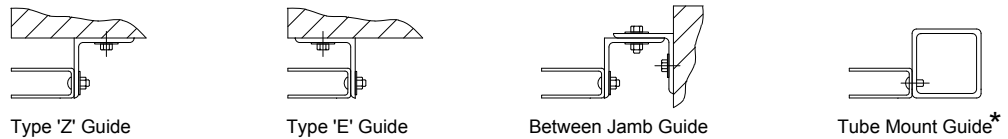
OTHER OPTIONS

- Designs for up to 100,000 operating cycles
- Aluminum or stainless steel doors
- Heavier gauge slats
- Louvered slats
- Tubular bottom bar with cylinder locks
- Sloping or irregular shaped bottom bars
- Galvanized or powder coat finishes

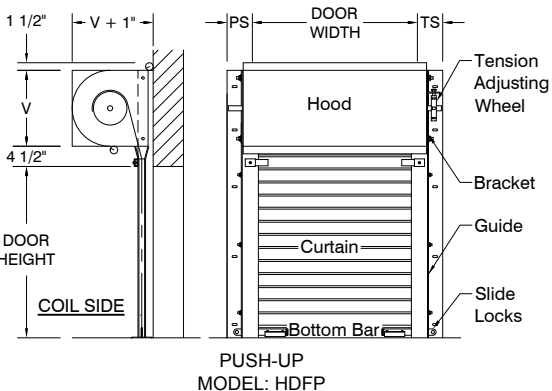
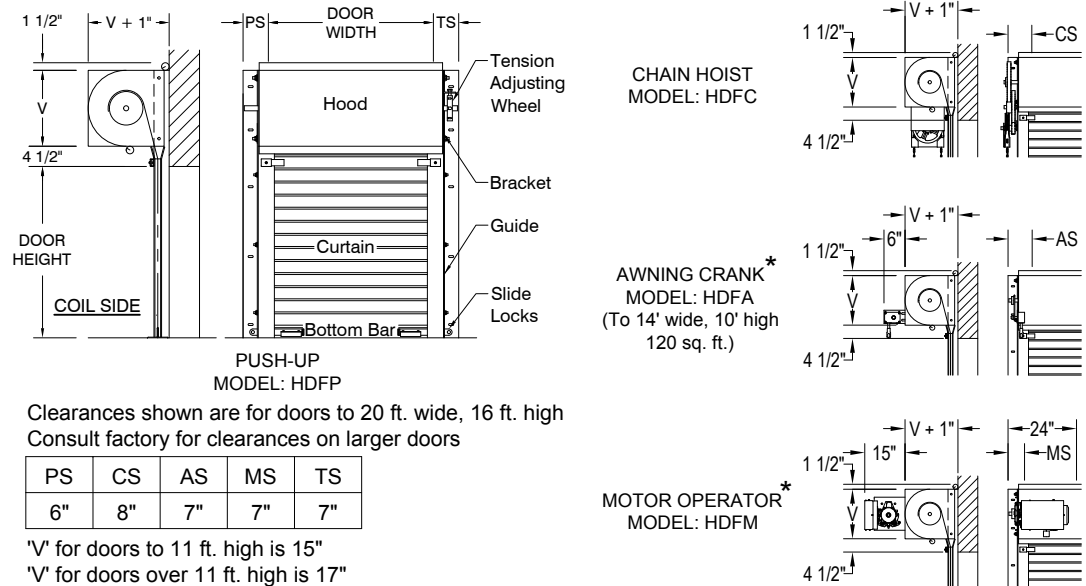
CURTAIN & BOTTOM BAR DETAILS



GUIDE DETAILS



CLEARANCES (typical face mount door shown)



Clearances shown are for doors to 20 ft. wide, 16 ft. high
Consult factory for clearances on larger doors

PS	CS	AS	MS	TS
6"	8"	7"	7"	7"

'V' for doors to 11 ft. high is 15"
'V' for doors over 11 ft. high is 17"

GENERAL NOTES:

Clearances are based upon standard door construction. Reduced clearances may be available. Some options may require additional clearance. Shop drawings for specific applications are available. Consult factory for any information not shown.

* Available as an option