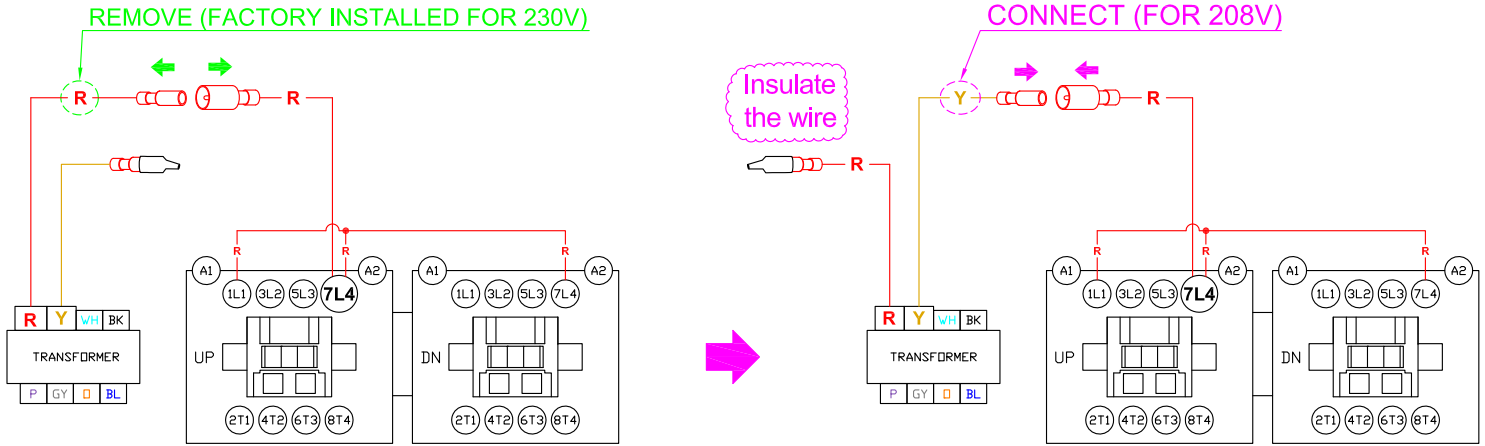


Wiring Change Instruction from 230V to 208V 3 Phase Operator

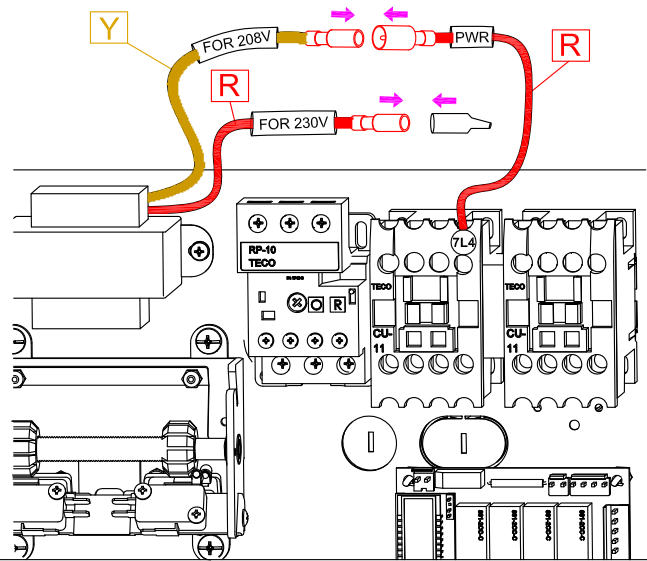
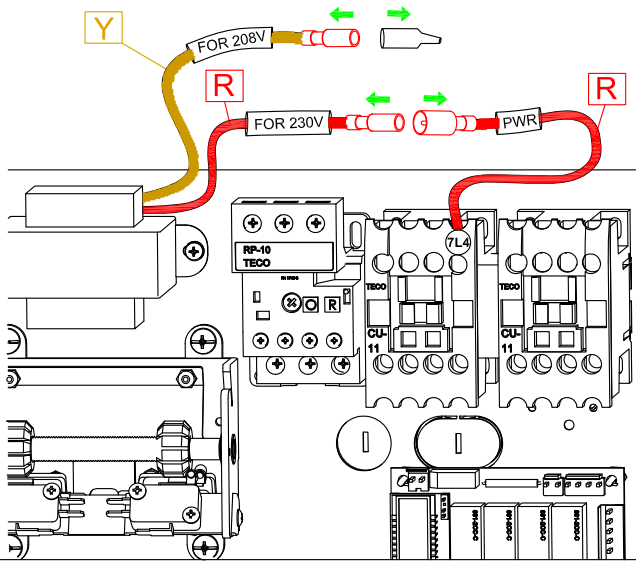
Hybrid MG E Series

MG-HB-3P-V02



1. Unplug the red "230V" wire connector from the red "PWR" wire connector.
Remove the insulating cap from the yellow "208V" wire connector.

2. Put the insulating cap on the red "230V" wire connector.
Plug the yellow "208V" wire connector into the red "PWR" wire connector.



3. Completed.

