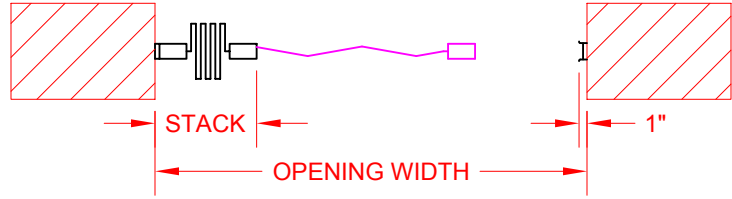
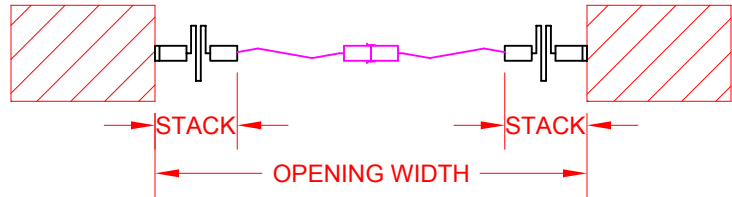


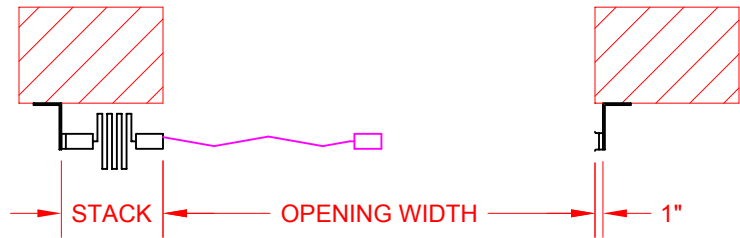
**BETWEEN-JAMB MOUNT, SINGLE CLOSURE  
FIXED REAR POST  
(LEFT STACK SHOWN, RIGHT STACK OPPOSITE)**



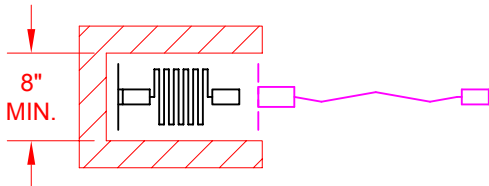
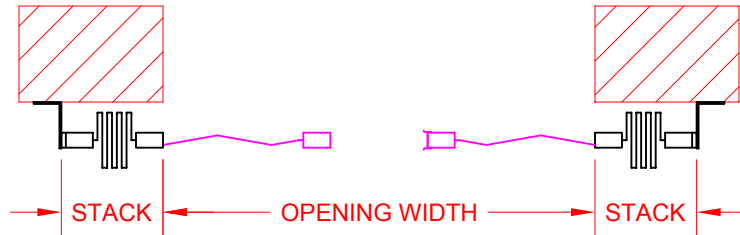
**BETWEEN-JAMB MOUNT, BI-PARTING CLOSURE  
FIXED REAR POST**



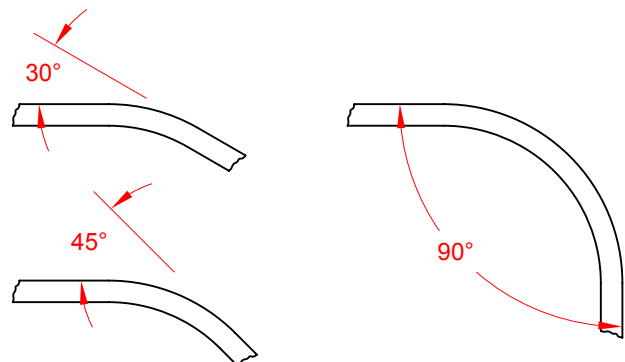
**FACE MOUNT, SINGLE CLOSURE  
FIXED REAR POST  
(LEFT STACK SHOWN, RIGHT STACK OPPOSITE)**



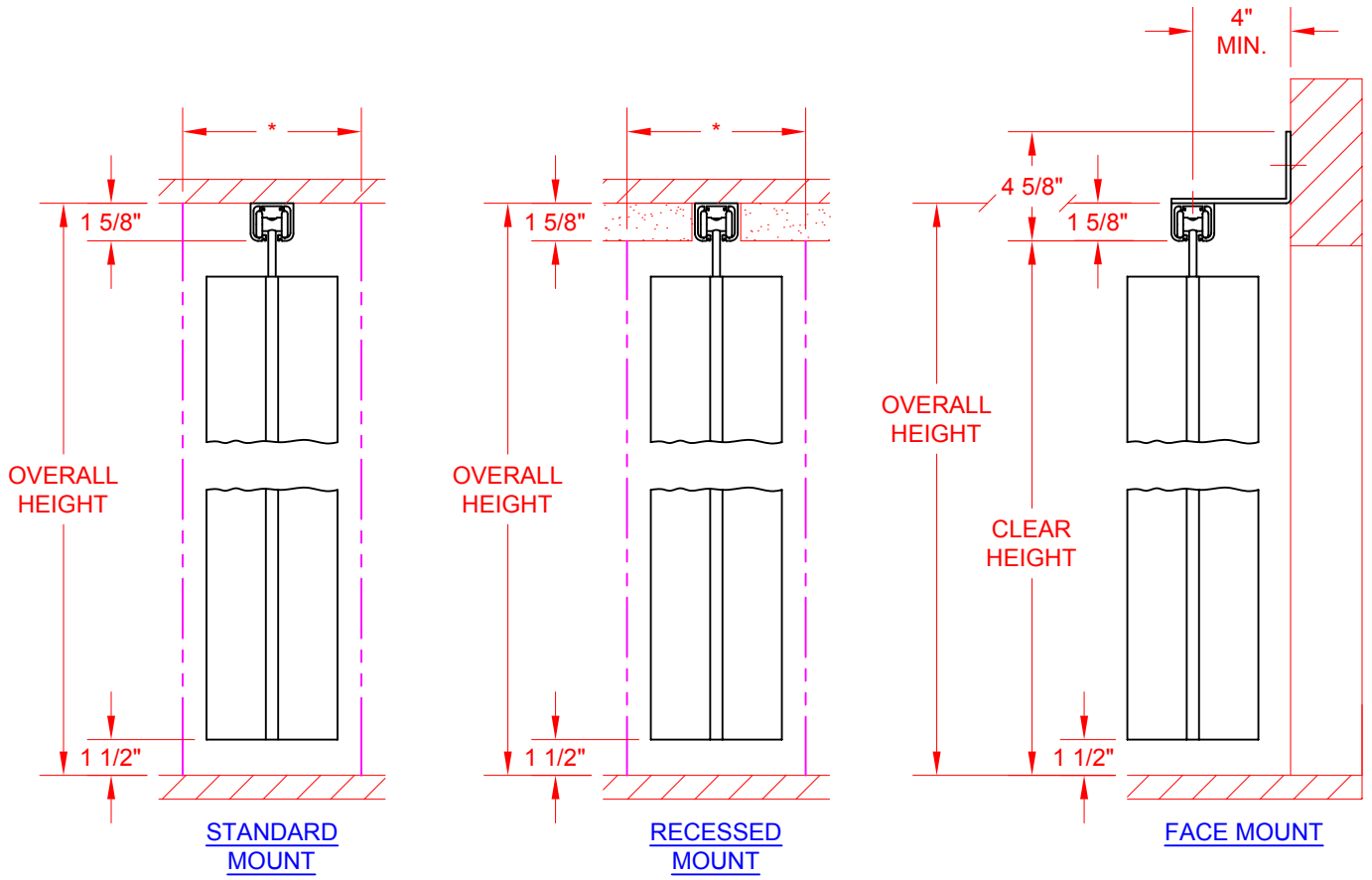
**FACE MOUNT, BI-PARTING CLOSURE  
FIXED REAR POST**



**TAILING REAR POST  
(STACK INSIDE POCKET)**



**CURVED TRACKS  
(STANDARD 14" RADIUS)**



\* 8" MIN. WIDTH  
FOR STRAIGHT TRACK -  
10" MIN. FOR  
CURVED TRACK