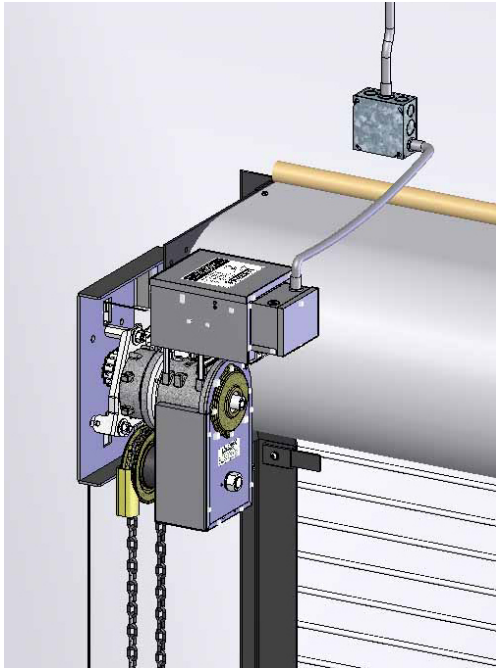


The Lawrence AR-C is a universal module that converts Lawrence *“Easy-Reset”* fire door operators to *“Auto-Reset”* operation. The conversion module simply bolts on to the top of the operator in place of the standard fusible link release module. After an approximate 10 second delay upon an initiation signal from a fire alarm control panel or local detectors, or upon a loss of power, the AR-C will automatically release the operator and allow the door to close through its internal governor. After power is restored and the alarm is cleared, the AR-C will automatically reset, and the door can be reopened. No mechanical resetting of the door is required.



AR-C “Auto-Reset” Conversion

Standard Features

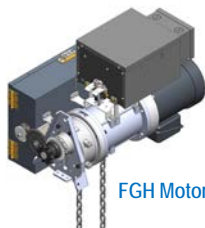
- Failsafe time delayed release (approx. 10 seconds)
- Listed by UL and California State Fire Marshal (CSFM)
- UL864 compliant without the need for an uninterruptible power supply
- For use on new or existing Lawrence fire door chain, crank and motor operators
- Powered by standard building current
- Initiated by either fire alarm control panel or local detectors
- Resets automatically after alarm is cleared and power is restored
- Eliminates mechanical resetting of the door

Mounting

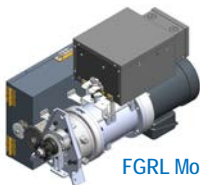
- Mounts on top of operator in place of standard fusible link module
- Can be installed with UL Listed fusible links when required
- For use in indoor locations – Max. 122° F [50° C] to Min. 23° F [-5° C] non-icing, <85% non-condensing humidity (NEMA 1 enclosure)
- Approximate dimensions 12” W x 5” H x 7” D
- Increases height of operator by approximately 3”

Electrical Characteristics

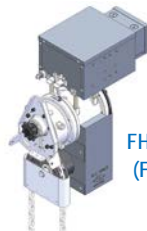
- Input voltage: 115VAC, 230VAC - 60Hz or 50Hz
- Amperage: 115VAC - 0.12, 230VAC - 0.06
- Initiation signal: Form C dry contact, 24VDC, 0.4A (Max. impedance 2.64 ohms)
- Wiring: 18 gauge recommended



FGH Motor Operator with AR-C



FGRL Motor Operator with AR-C



FHC Chain Operator with AR-C
(FHK Crank Operator Similar)



FHKM Crank Operator with AR-C
(FHCM Chain Operator Similar)