

SPECIFICATIONS

**MAXIMUM SIZE
GATE BODY**

16 ft. wide (single gate) or 32 ft. wide (bi-parting gate), 12 ft. high
Alternating vertical 11 gauge steel channels and intermediate 3/16" steel flat bars, spaced approximately 5" apart, with 3 rows of 3/16" steel lattice bars riveted together through zinc plated steel washers and traveling on formed steel clips

**LEAD & REAR BARS
LOCKING**

14 gauge formed steel box channels
Hasp suitable for padlocking gate in closed position (full height lock post on single gate), pivoting steel tie-back arm to hold gate in open position

BOTTOM ROLLERS

Machined steel ball bearing non-swivel double-wheel rollers in 14 gauge formed steel box channel bottom track with rubber floor pads

TOP GUIDE

Full height vertical 11 gauge steel channels traveling through 14 gauge formed steel box channel top track

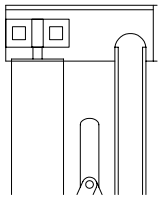
FINISH

Factory applied black, bronze or gray paint

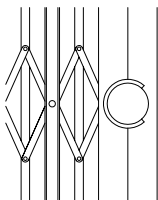
WARRANTY

One year limited warranty (excluding finish)

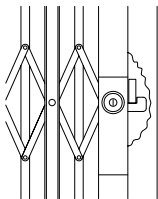
COMMON OPTIONS



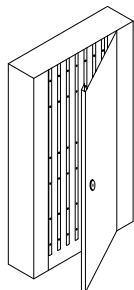
Pivoting Gate



High security keyed pin lock



Cylinder locking device

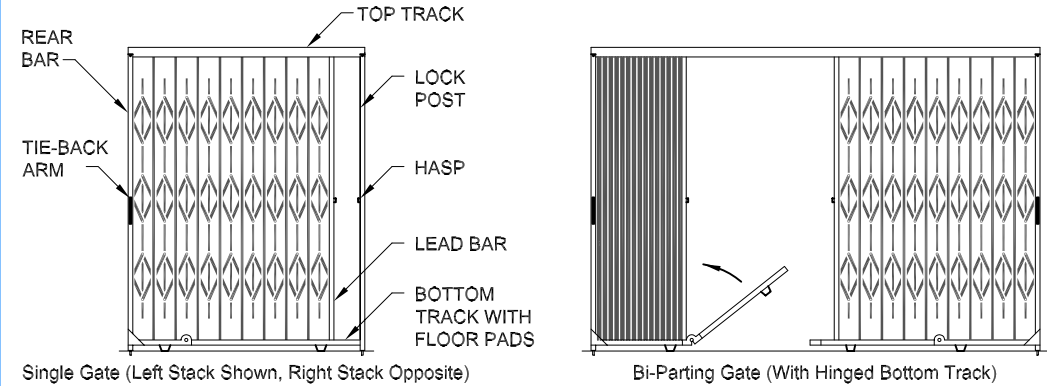


Gate cabinets - surface mount shallow cabinet shown, recessed or deep cabinet designs available

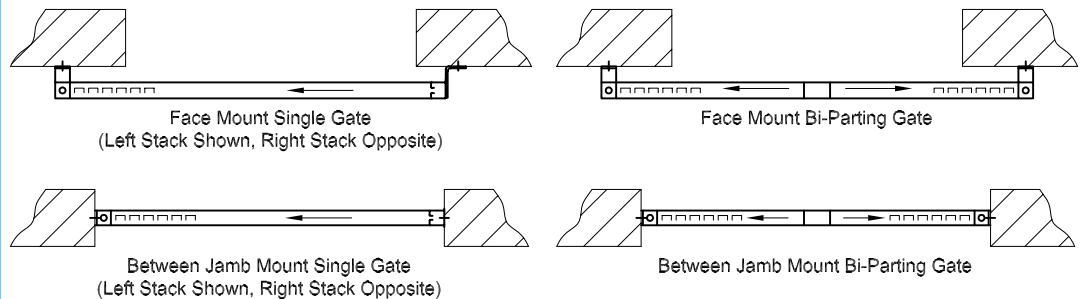
OTHER OPTIONS

- JC-1000 "Quick Release"
- Unequal Pair Gates
- Floating Gate Sections
- Powder Coat Finish

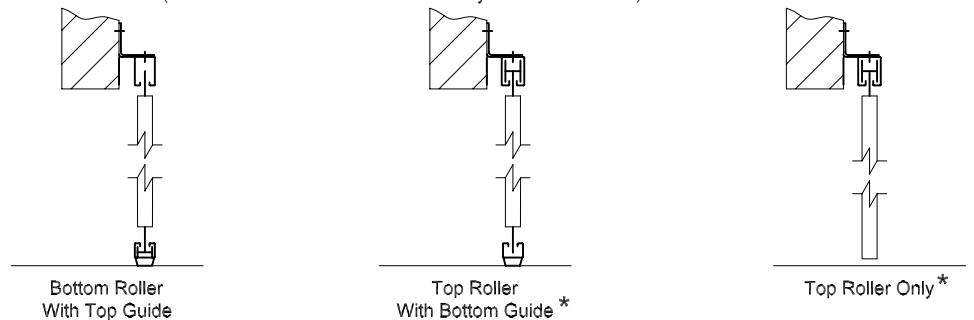
GATE DETAILS



MOUNTING DETAILS



TRACK DETAILS (Face mount details shown - between jamb mount similar)



CLEARANCES:

Allow approximately 2" per ft. of gate width for stacking clearance.

GENERAL NOTES:

Clearances are based upon standard gate construction. Some options may require additional clearance. Shop drawings for specific applications are available. Consult factory for any information not shown.

* Available as an option



4525 Littlejohn Street • Baldwin Park, CA 91706
(626) 960-2933 • Toll Free (866) 224-4283 • Fax (626) 869-0844
www.criterionproducts.com