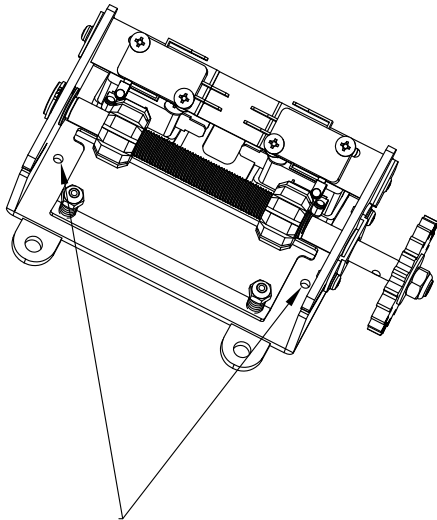


Auxiliary Limit Switch Set (New) Installation

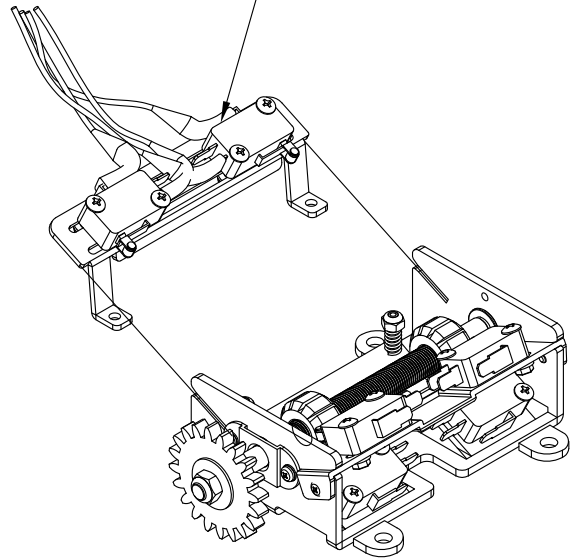
STEP 1



The holes for installing auxiliary limit switch set.

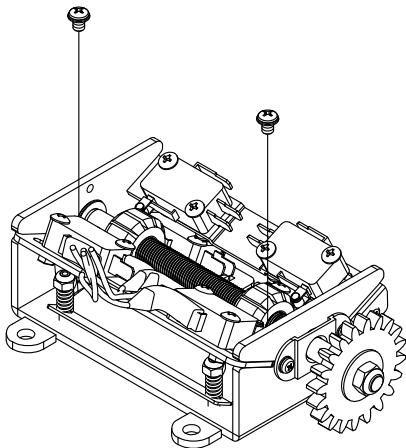
STEP 2

Auxiliary Limit Switch Set
Part No:GA30-053



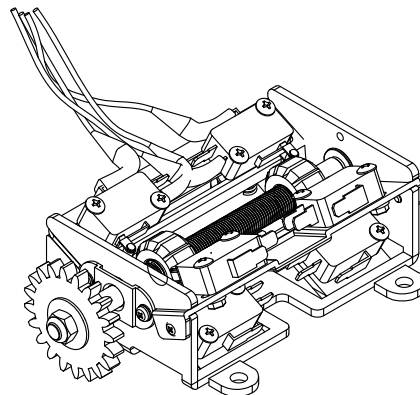
Install the auxiliary limit switch set into the slot.

STEP 3



Fasten with the two screws provided.

STEP 4



Completed