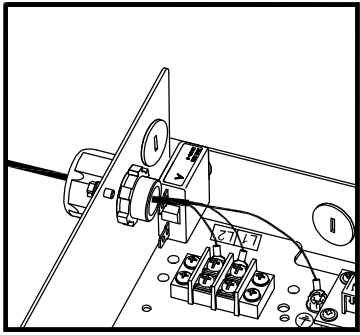
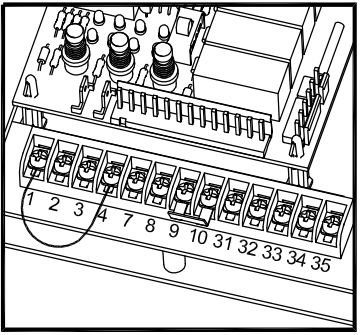
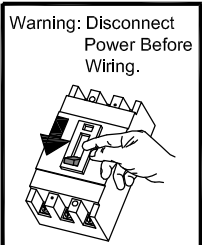
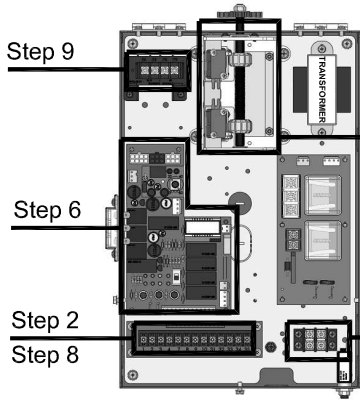


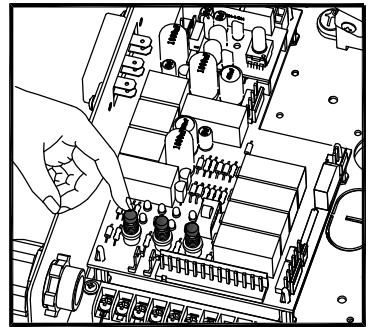
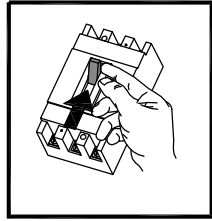
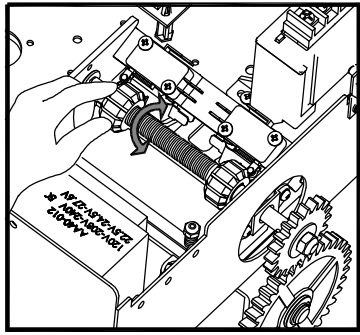
Quick Start (MG-Hybrid) - 1 Phase

Quick Start (MG-Hybrid) - 1 Phase

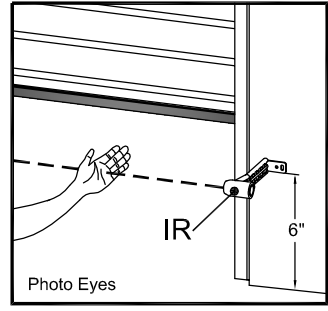
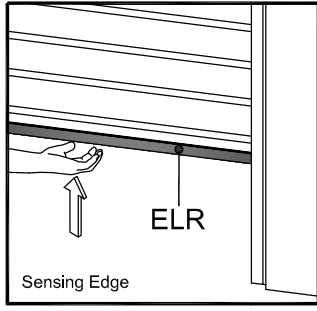
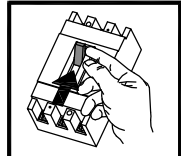
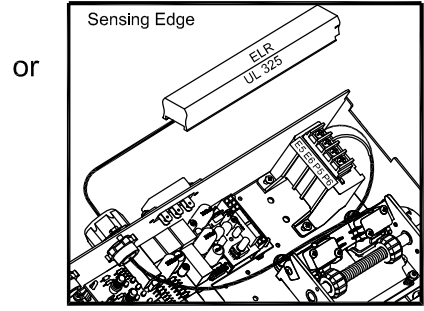
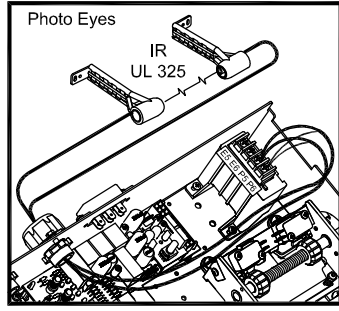
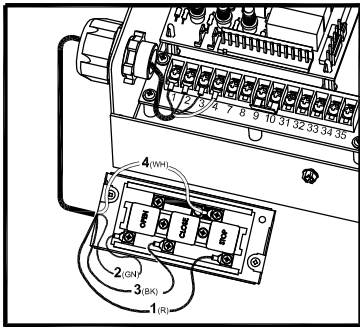
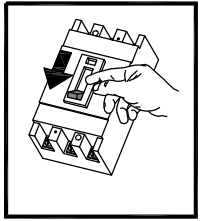
Quick Start (MG-Hybrid) - 1 Phase



Warning: Disconnect Power Before Wiring. QST-MG-HB-01-V01



Note:
Door and Operator Must Function Properly Without External Connections. Please call factory if you have problems.



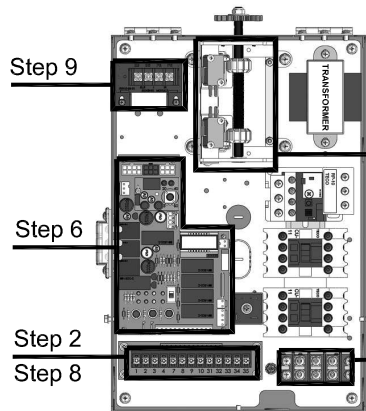
Not Included In the Box: Entrapment Device (Photo Eyes or Sensing Edge), Circuit Breaker, Cable Glands, or All Wires.

* Other Wirings or Installation Please See Installation Instructions

Quick Start (MG-Hybrid) - 1 Phase

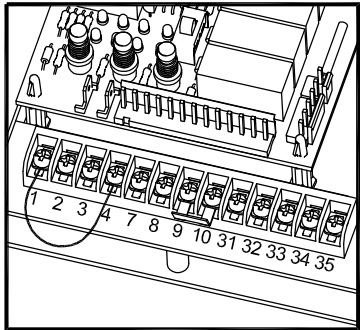
Quick Start (MG-Hybrid) - 3 Phase

Quick Start (MG-Hybrid) - 3 Phase



Warning: Disconnect Power Before Wiring.

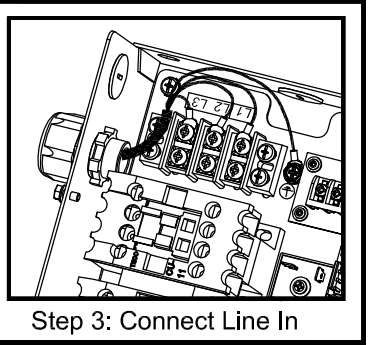
Step 1: Power OFF



Step 2: Connect Wire 1 and 4 On TB5

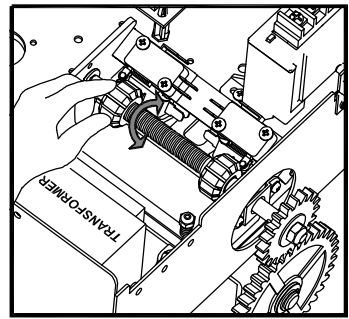
For 208V input power, a wiring change is required - see wiring change instructions.

Warning: Disconnect Power Before Wiring. QST-MG-HB-02-V01

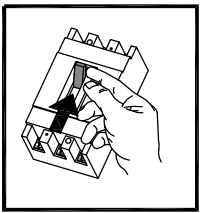


Step 3: Connect Line In

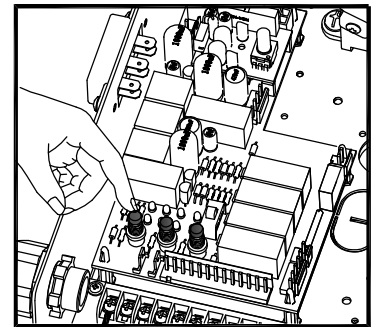
Quick Start (MG-Hybrid) - 3 Phase



Step 4: Set Limits by Manually Running the Door. See installation instructions

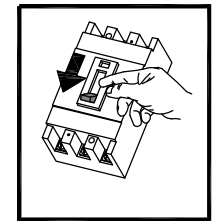


Step 5: Power ON

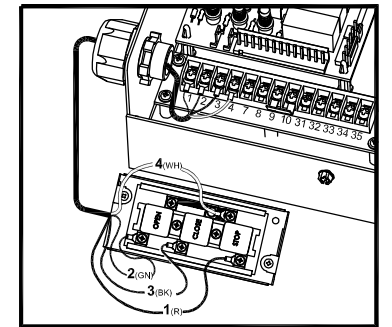


Step 6: Test Open, Close, Stop and Limits (Constant Pressure)

Note: Door and Operator Must Function Properly Without External Connections. Please call factory if you have problems.

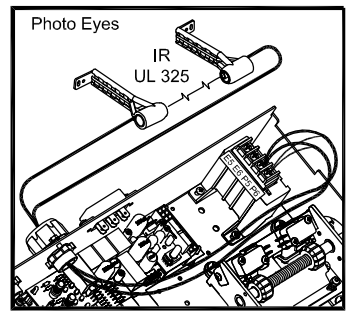


Step 7: Power OFF



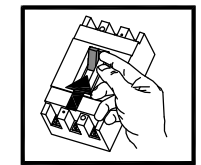
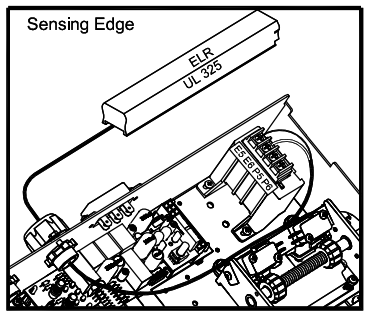
Step 8: Remove 1 and 4 Jumper, Connect 3-Button Station

Quick Start (MG-Hybrid) - 3 Phase

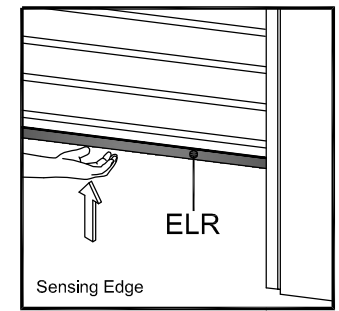


Step 9: Connect Primary Entrapment Protection Device If Provided

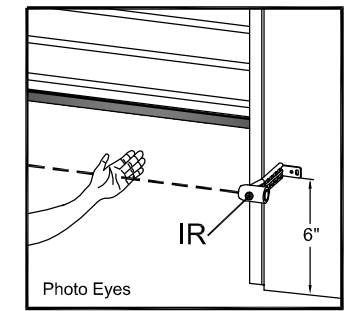
OR



Step 10: Power ON



Step 11: Test 3-Button Control Station and Entrapment Protection Device



Not Included In the Box: Entrapment Device (Photo Eyes or Sensing Edge), Circuit Breaker, Cable Glands, or All Wires.

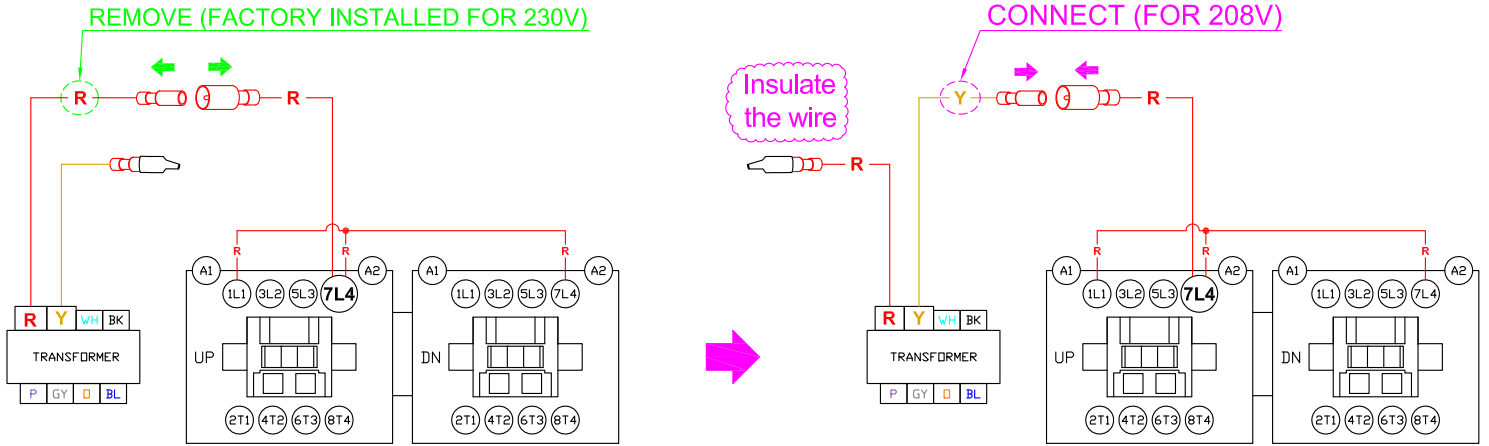
*** Other Wirings or Installation Please See Installation Instructions**

Quick Start (MG-Hybrid) - 3 Phase

Wiring Change Instruction from 230V to 208V 3 Phase Operator

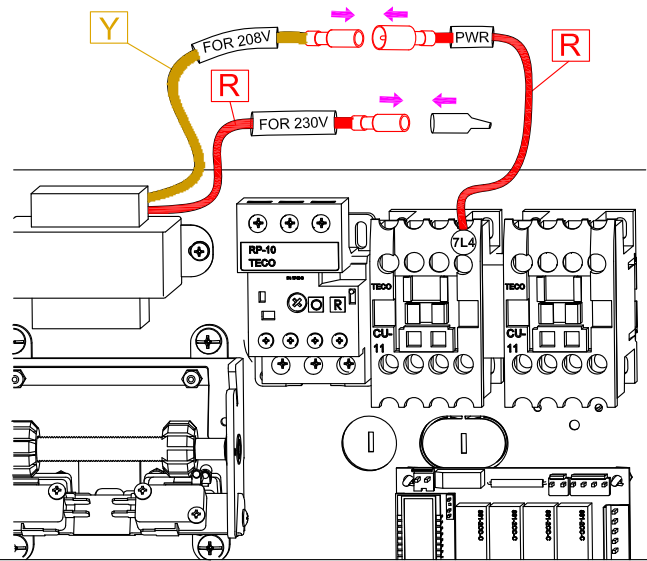
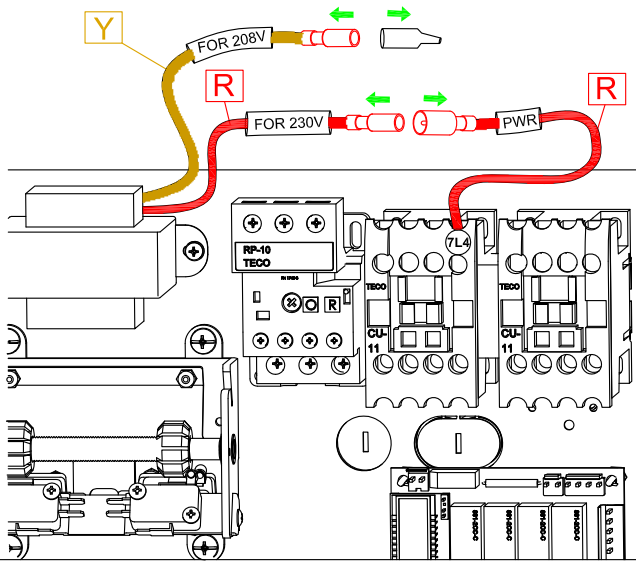
Hybrid MG E Series

MG-HB-3P-V02



1. Unplug the red "230V" wire connector from the red "PWR" wire connector.
Remove the insulating cap from the yellow "208V" wire connector.

2. Put the insulating cap on the red "230V" wire connector.
Plug the yellow "208V" wire connector into the red "PWR" wire connector.



3. Completed.

