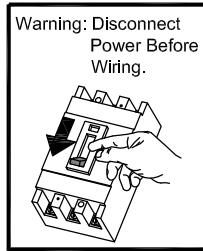
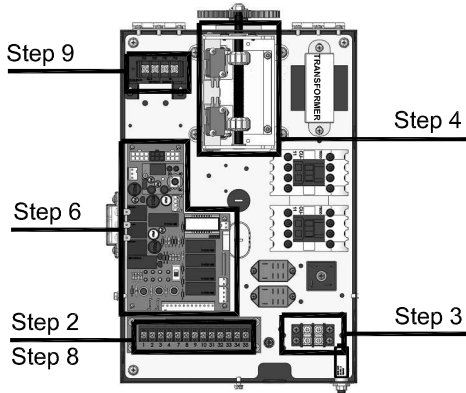


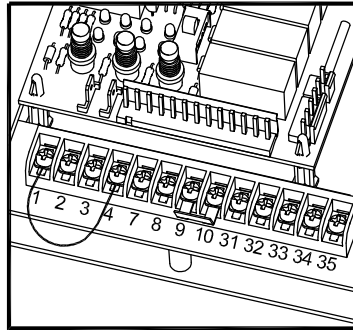
Quick Start (FG & SG-Hybrid) - 1 Phase

Warning: Disconnect Power Before Wiring.

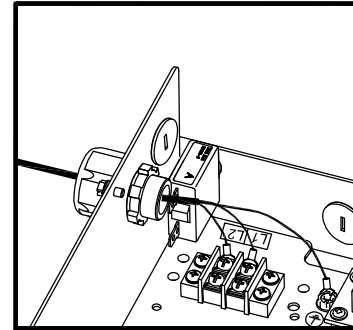
QST-FG-SG-HB-01-V01



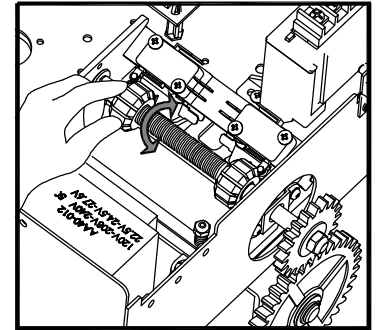
Step 1: Power OFF



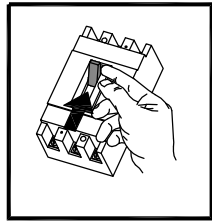
Step 2: Connect Wire 1 and 4 On TB5



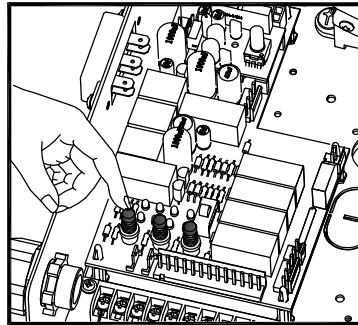
Step 3: Connect Line In ⚡



Step 4: Set Limits by Manually Running the Door. See installation instructions

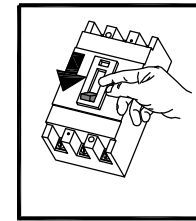


Step 5: Power ON

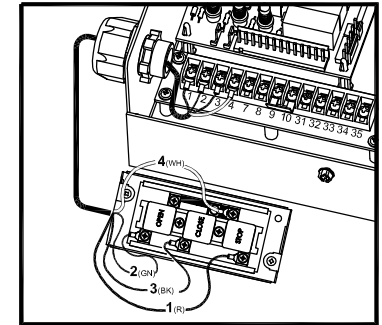


Step 6: Test Open, Close, Stop and Limits (Constant Pressure)

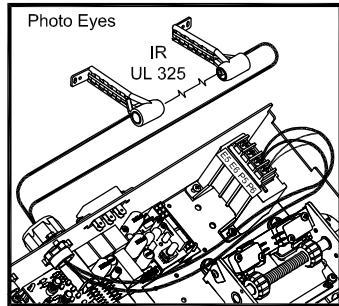
Note:
Door and Operator Must Function Properly Without External Connections. Please call factory if you have problems.



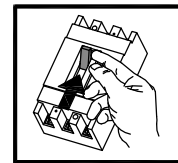
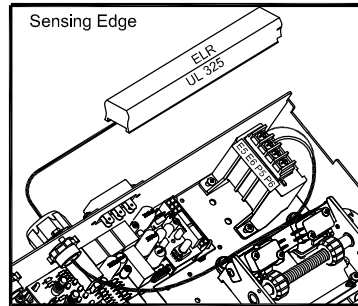
Step 7: Power OFF



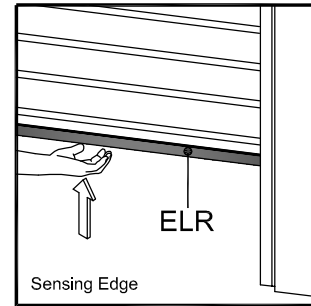
Step 8: Remove 1 and 4 Jumper, Connect 3-Button Station



OR



Step 10: Power ON



Sensing Edge

Step 11: Test 3-Button Control Station and Entrapment Protection Device

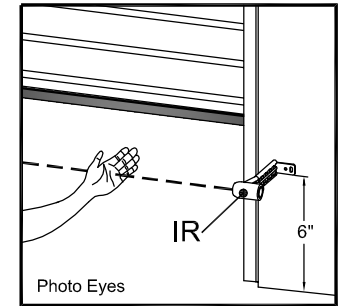


Photo Eyes

Step 9: Connect Primary Entrapment Protection Device If Provided

Not Included In the Box: Entrapment Device (Photo Eyes or Sensing Edge), Circuit Breaker, Cable Glands, or All Wires.

* Other Wirings or Installation Please See Installation Instructions

NOTE: SG board shown - other boards similar.

Quick Start (FG & SG-Hybrid) - 1 Phase

Quick Start (FG & SG-Hybrid) - 1 Phase

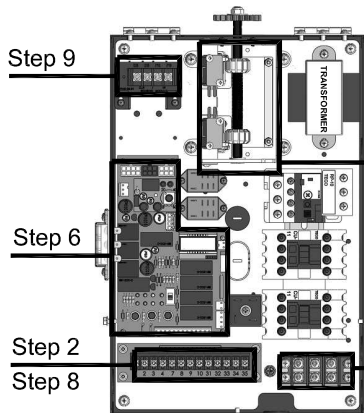
Quick Start (FG & SG-Hybrid) - 1 Phase

Quick Start (FG & SG-Hybrid) - 1 Phase

Quick Start (FG & SG-Hybrid) - 3 Phase

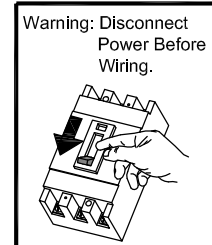
Quick Start (FG & SG-Hybrid) - 3 Phase

Quick Start (FG & SG-Hybrid) - 3 Phase

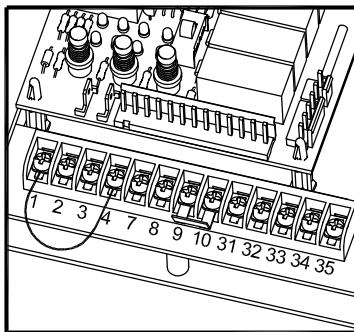


Warning: Disconnect Power Before Wiring.

QST-FG-SG-HB-02-V01

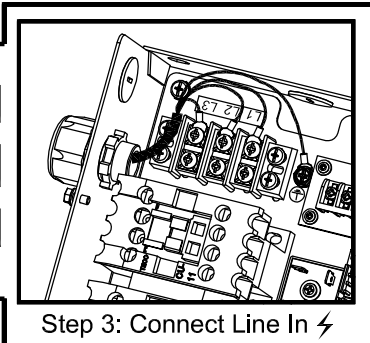


Step 1: Power OFF

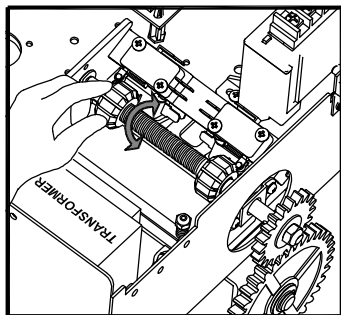


Step 2: Connect Wire 1 and 4 On TB5

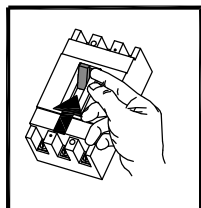
For 208V input power, a wiring change is required - see wiring change instructions.



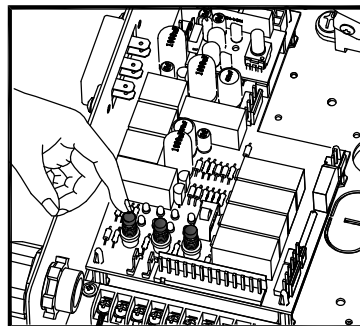
Step 3: Connect Line In



Step 4: Set Limits by Manually Running the Door. See installation instructions

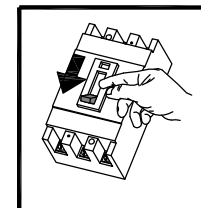


Step 5: Power ON

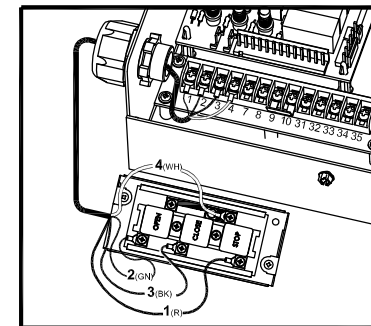


Step 6: Test Open, Close, Stop and Limits (Constant Pressure)

Note: Door and Operator Must Function Properly Without External Connections. Please call factory if you have problems.



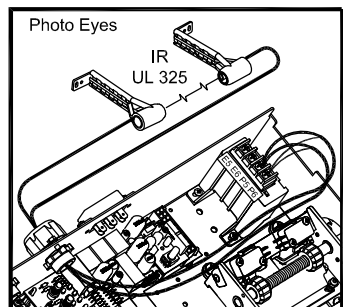
Step 7: Power OFF



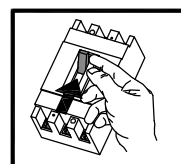
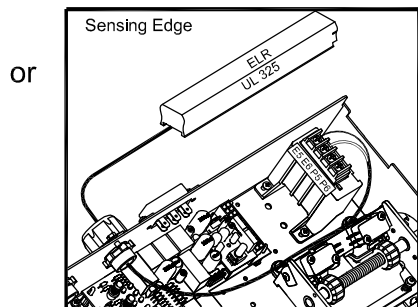
Step 8: Remove 1 and 4 Jumper, Connect 3-Button Station

Quick Start (FG & SG-Hybrid) - 3 Phase

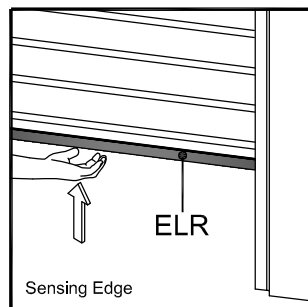
Quick Start (FG & SG-Hybrid) - 3 Phase



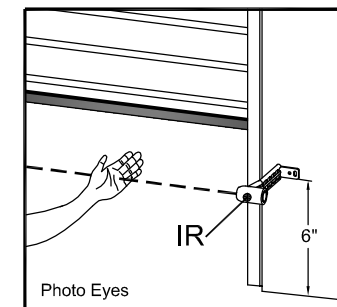
Step 9: Connect Primary Entrapment Protection Device If Provided



Step 10: Power ON



Step 11: Test 3-Button Control Station and Entrapment Protection Device



Not Included In the Box: Entrapment Device (Photo Eyes or Sensing Edge), Circuit Breaker, Cable Glands, or All Wires.

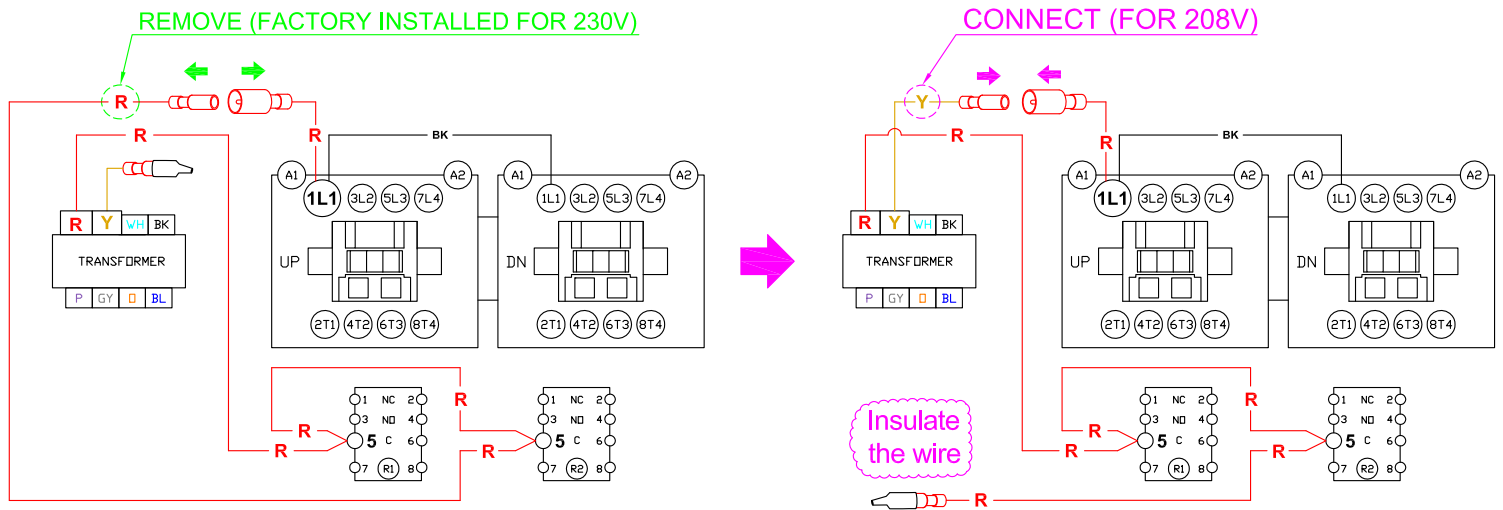
* Other Wirings or Installation Please See Installation Instructions

NOTE: SG board shown - other boards similar.

Wiring Change Instruction from 230V to 208V 3 Phase Operator

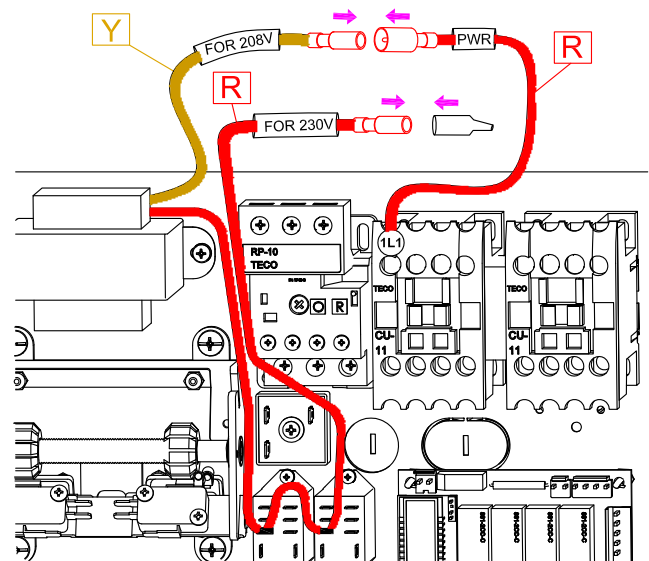
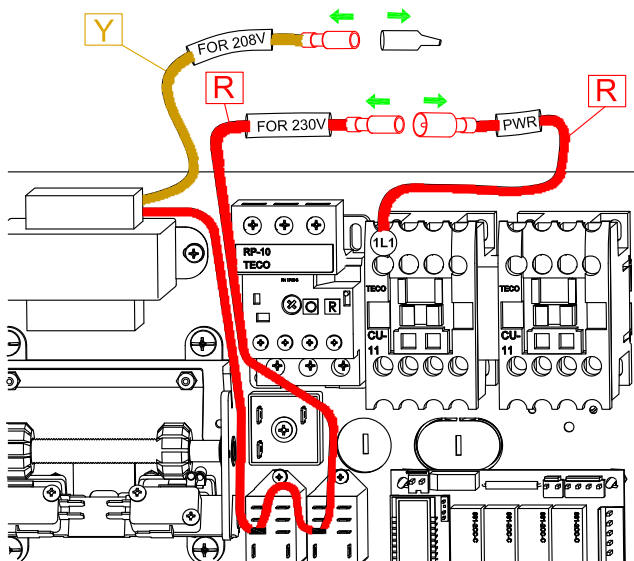
Hybrid FG & SG E Series

FG-SG-HB-3P-V03



1. Unplug the red "230V" wire connector from the red "PWR" wire connector.
Remove the insulating cap from the yellow "208V" wire connector.

2. Put the insulating cap on the red "230V" wire connector.
Plug the yellow "208V" wire connector into the red "PWR" wire connector.



3. Completed.

