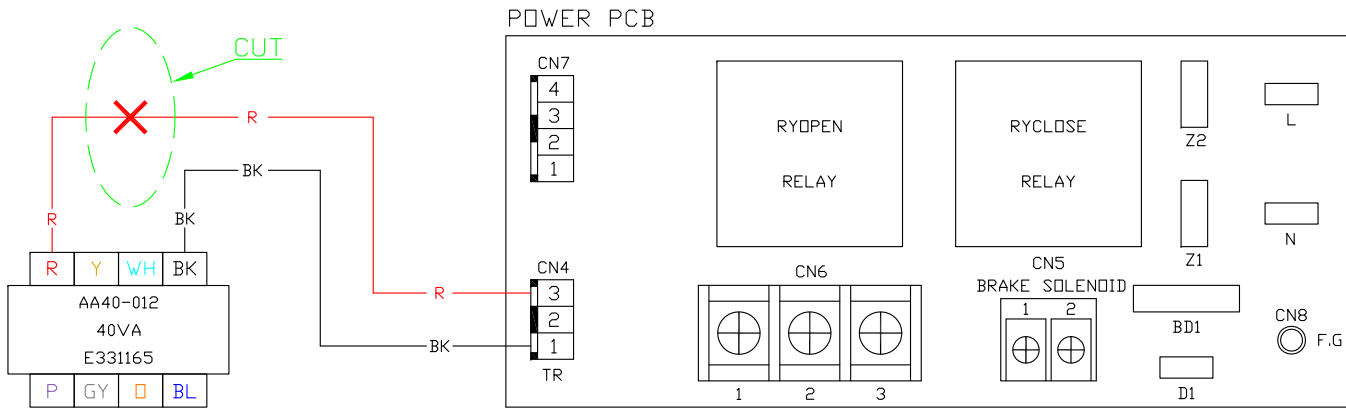


WIRING CHANGE FOR USING 208V 1 PHASE INPUT POWER WITH A 230V 1 PHASE MG OPERATOR (UP TO 3/4 HP)

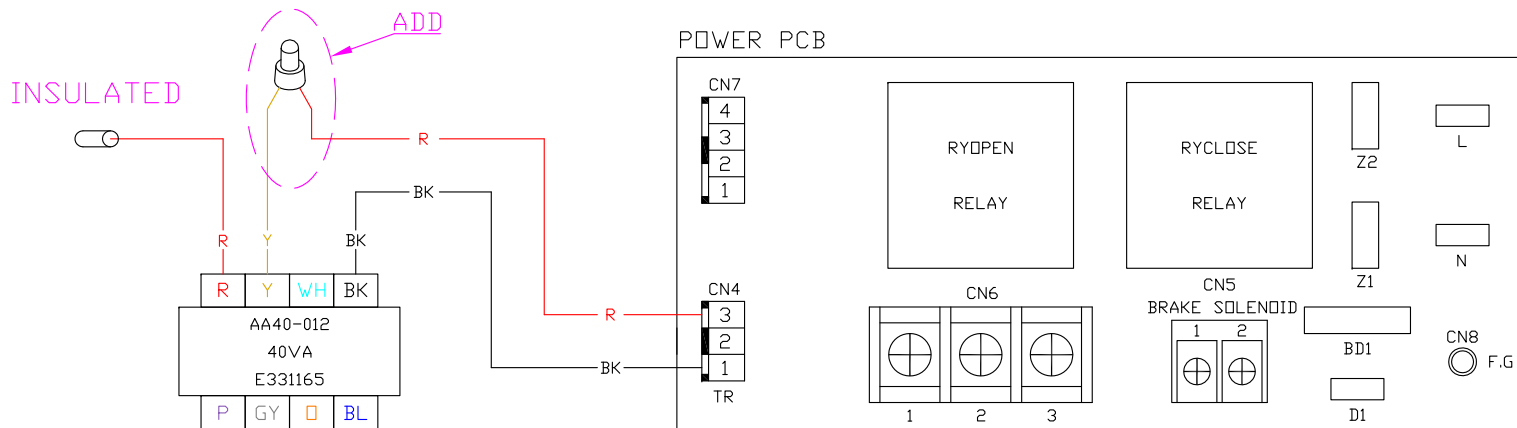
WARNING : TURN OFF POWER BEFORE SERVICING.

NOTES :

1. THE CAPACITY OF THE OPERATOR WHEN IT IS CONVERTED TO 208V-1PH IS ONLY 70% OF ITS RATED CAPACITY AS A 230V-1PH OPERATOR.
2. THE VARIATION IN INPUT VOLTAGE CAN BE $\pm 3\%$ MAXIMUM (202V TO 214V).



FROM 230VAC 1 PHASE



TO 208VAC 1 PHASE