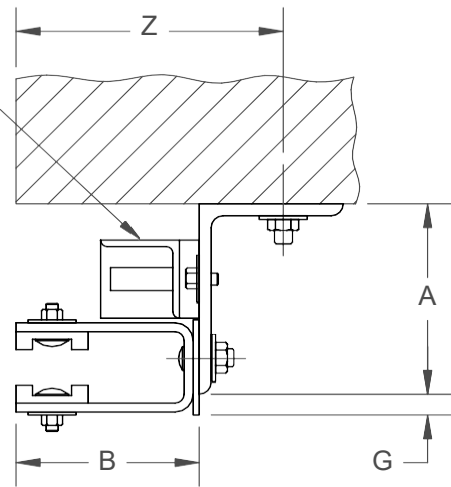
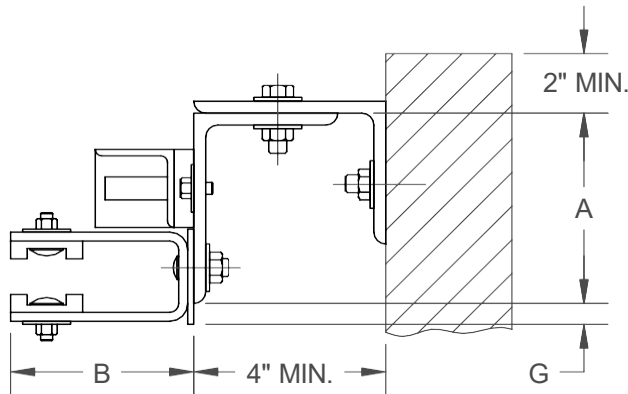


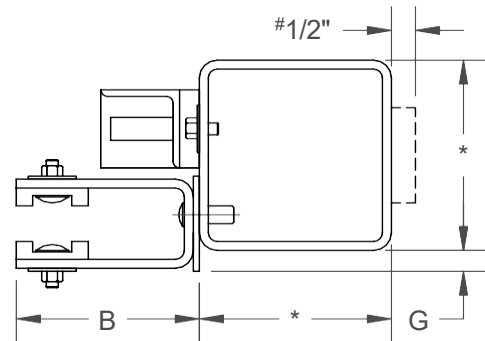
FACE MOUNT E-GUIDE
NON MASONRY JAMBS



FACE MOUNT Z-GUIDE
MASONRY JAMBS



BETWEEN JAMB MOUNT



TUBE MOUNT
(OPTIONAL)

* PG, PT: 4" X 4" TUBE
PD: 4" X 4" TUBE UP TO 24' WIDE
5" X 5" TUBE OVER 24' WIDE

TYPICAL DIMENSIONS

PG GRILLE	DOOR WIDTH	A	B	E	Z	G
	TO 30'	4"	3 3/4"	2 1/4"	5 1/2"	3/8"
PD DOOR	DOOR WIDTH	A	B	E	Z	G
	TO 30'	5"	3 3/4"	2 1/4"	5 1/2"	3/4"
PT TIGHT COIL	DOOR WIDTH	A	B	E	Z	G
	TO 28'	4"	3 3/4"	2 1/4"	5 1/2"	3/8"

1/2" FILLER REQUIRED ONLY FOR PT TIGHT COIL GRILLES WITH 4" X 4" TUBES MOUNTED BETWEEN JAMBS.
E AND Z DIMENSIONS CAN BE ADJUSTED +/- 1/2" BY PLACEMENT OF WALL BOLT THROUGH HORIZONTAL SLOT.
ALL DIMENSIONS SHOWN ARE APPROXIMATE.