

MODEL PT

HIGH PERFORMANCE
TIGHT COIL GRILLE

— P-SERIES —

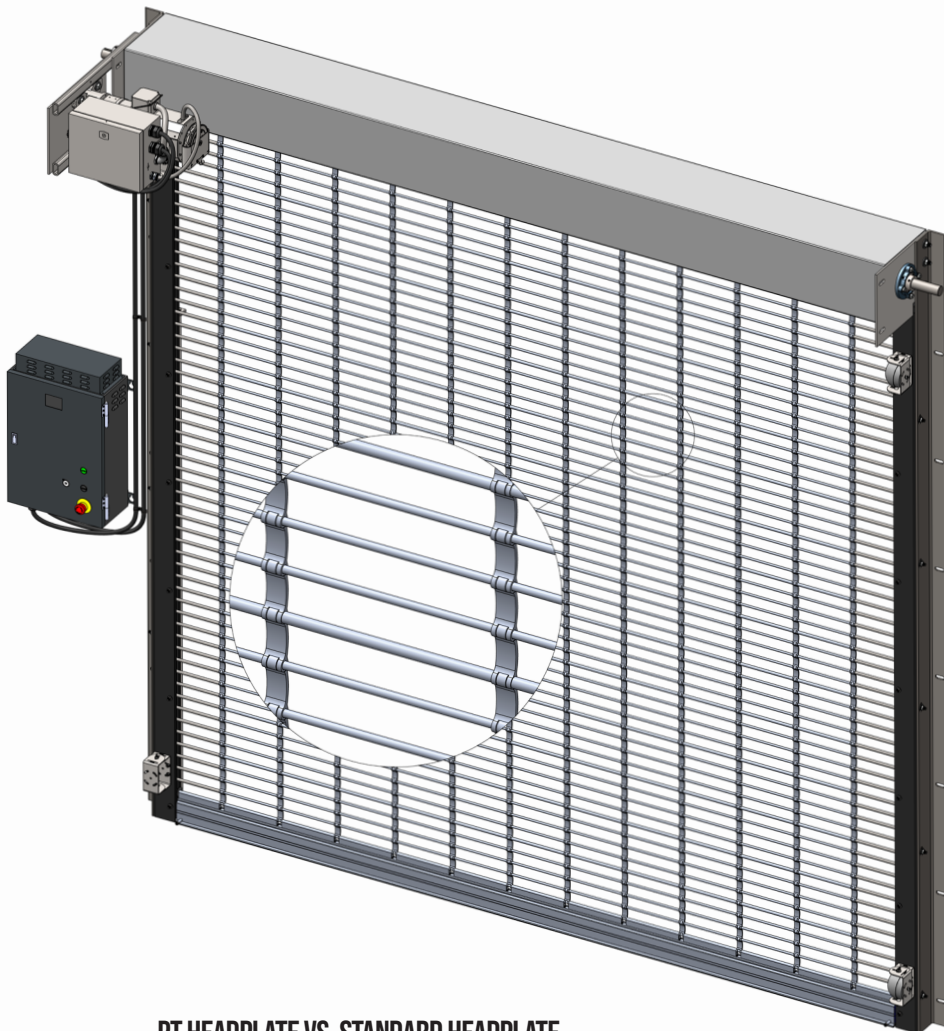
The Model PT offers the best of both worlds; high performance and low headroom.

FEATURES INCLUDE:

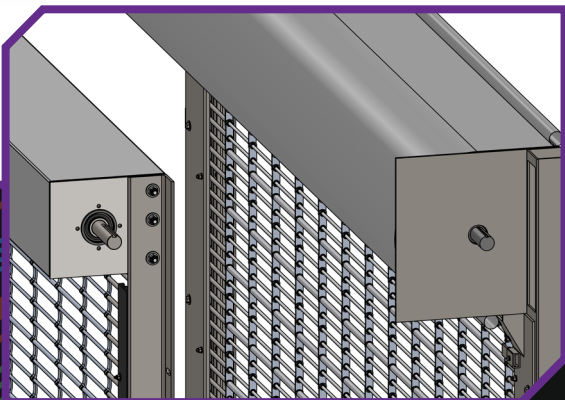
- Low headroom design to fit in as low as a 12" total clearance
- Up to 500,000 operating cycles
- Durable, tight coil link design with rods evenly spaced 1 3/4" apart
- Average operating speeds of 24" per second to open and 12" per second to close
- Up to 28' wide and 14' high
- Patent Pending Design

COMMON APPLICATIONS:

- Parking Structures
- Auto Dealerships
- Hospitals



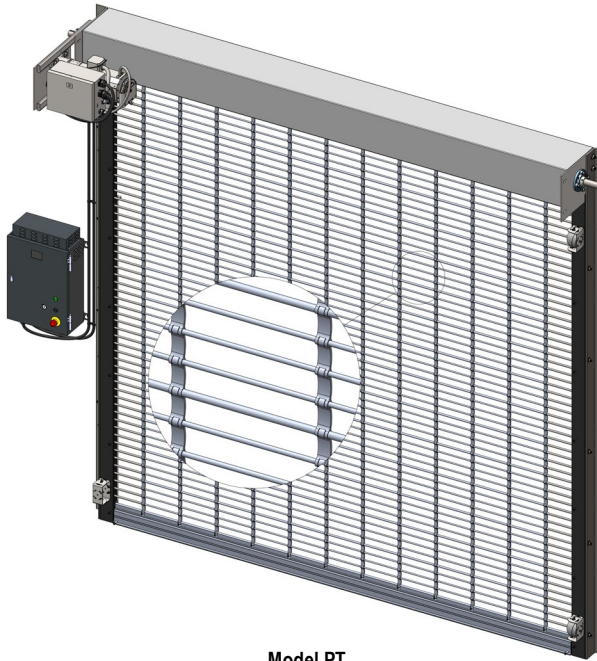
PT HEADPLATE VS. STANDARD HEADPLATE



LAWRENCE
DOORS

MADE IN THE USA
SINCE 1925

The Lawrence Model PT offers the best of both worlds... high performance and low headroom. With a springless design for 500,000 cycles usage and an average operating speed of up to 24 inches per second to open and 12 inches per second to close, these grilles coil tight to fit in small spaces. Sizes up to 20 feet wide and 10 feet high need only 1 foot of clearance above the opening – larger sizes need only 2 inches more. PT High Performance Tight-Coil Grilles are the ideal solution in very high usage or higher speed applications for openings with limited headroom up to 28 ft. wide and 14 ft. high.



Model PT
High Performance Tight-Coil Grille
with HGH Motor Operator
(shown with optional hood)

Standard Grille Features

- TL9 inline grille curtain pattern with 13/16" wide, 5/32" thick, 2-hole curved aluminum links 8 3/4" apart, interconnected with 5/16" solid aluminum horizontal rods uniformly spaced 1 3/4" apart.
- Stainless steel spacer tubes between curtain end links on every rod and aluminum spacer tubes between all other links on every 6th rod
- Tubular bottom bar fabricated from aluminum extrusions and internally reinforced
- Guides fabricated from 3/16" thick steel U-channels with replaceable extruded UHMW wearstrips bolted to 1/4" thick steel wall angles
- Springless barrel design – minimum 4 1/2" diameter schedule 40 pipe and 1 1/2" shafts

Standard Safety Features

- Monitored photo eye to stop and reverse a closing grille upon sensing an obstruction in the opening
- Secondary monitored light curtain to stop and reverse a closing grille, and photo eye at top of guides to stop an opening grille, upon sensing an obstruction in the opening
- If a sensing system fault is detected, grille will stay in or return to open position and revert to constant pressure close function for partial operability until fault is corrected
- Optional monitored sensing edge to stop and reverse a closing grille upon contact with an obstruction – rubber dual-chamber profile design with integral isolated conductive elastomer switches (increases standard headroom by 1 1/2")

Standard Operator Features

- High efficiency UL Listed inline gear drive motor operator
- 2 HP minimum continuous duty motor operates on 208/230v-3ph or 460v-3ph power source (2 HP available as 230v-1ph)
- Auxiliary hoist for emergency hand chain operation in the event of a power failure
- Integral speed governor to prevent curtain free-fall in the event of operator component failure
- Variable speed controller with adjustable soft start/stop feature
- Average operating speed of up to 24" per second to open and 12" per second to close – slowing prior to full open and full close
- Solenoid actuated brake, adjustable limit switches, non-resettable cycle counter, adjustable reclose timer, delay on reverse
- Auxiliary transformer is included to support supplemental sensors and ancillary control devices
- Wall mount control panel (18 1/4" W, 24 1/2" H, 9 1/4" D) – connected to the motor operator via pre-assembled 18' wiring harnesses
- NEMA 1 enclosures

Standard Clearances

- Headroom – 12" up to 20 ft. wide, 10 ft. high / 14" on larger sizes (refer to Details and Clearances sheet for complete information)
- Sideroom – 8 1/4" each side

NOTES: The link design that allows the grille to coil tightly makes it susceptible to finish wear resulting from repeated coiling and uncoiling upon itself. Depending on size, use, and environmental conditions, the wear may be substantial but is considered normal and will not adversely affect the designed cycle life of the grille. PT Grilles are warranted against defects in workmanship and materials for 2 years from date of shipment provided designed cycle life is not exceeded. Additional warranty conditions apply.