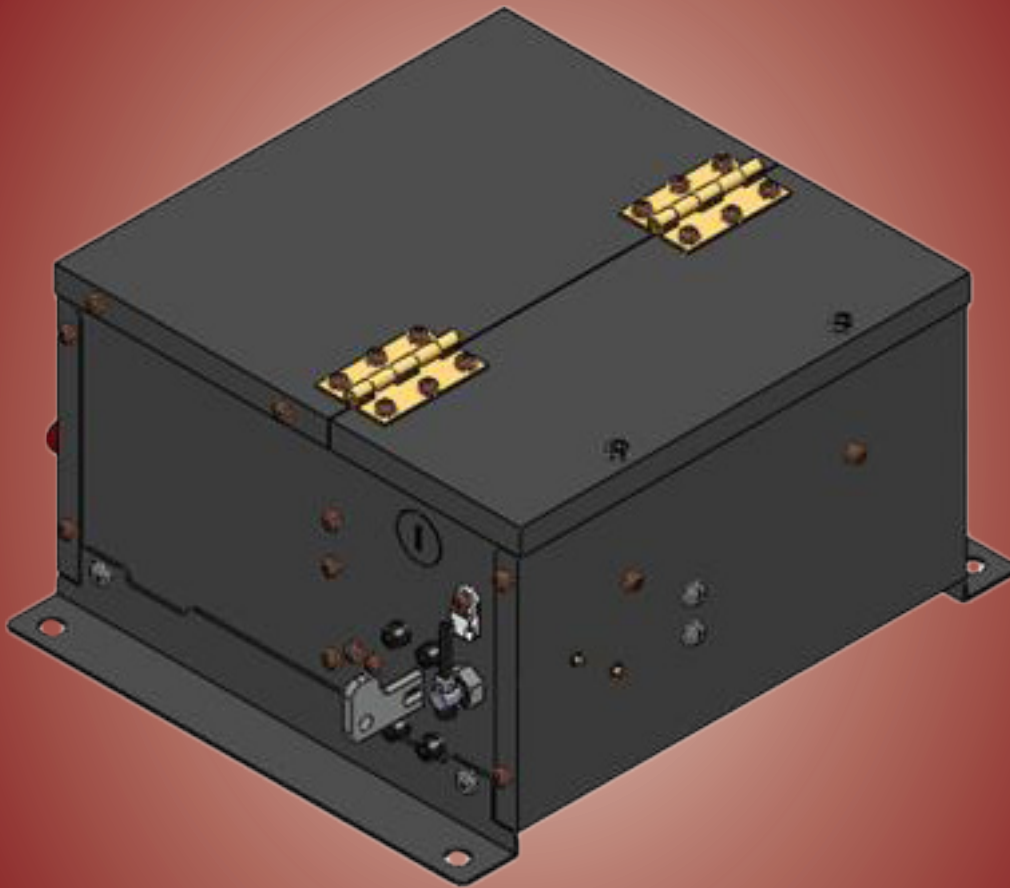


AR-D

FIRE DOOR ALARM RELEASE

The Lawrence Model AR-D is a failsafe time delayed fire door release device.



FEATURES INCLUDE:

- UL864 compliant device without the need for an uninterruptible power supply.
- Powered by either building current, fire alarm control panel or UL1481.
- Time delayed release (approx. 10 seconds) upon initiation or power loss.
- Standard wall mount for right-side pull.
- Universal input voltage: 100~240VAC, 24VAC/DC, 60Hz or 50Hz.

COMMON APPLICATIONS:

- Warehouses
- Government/Military
- Pharmacies
- Schools/Colleges

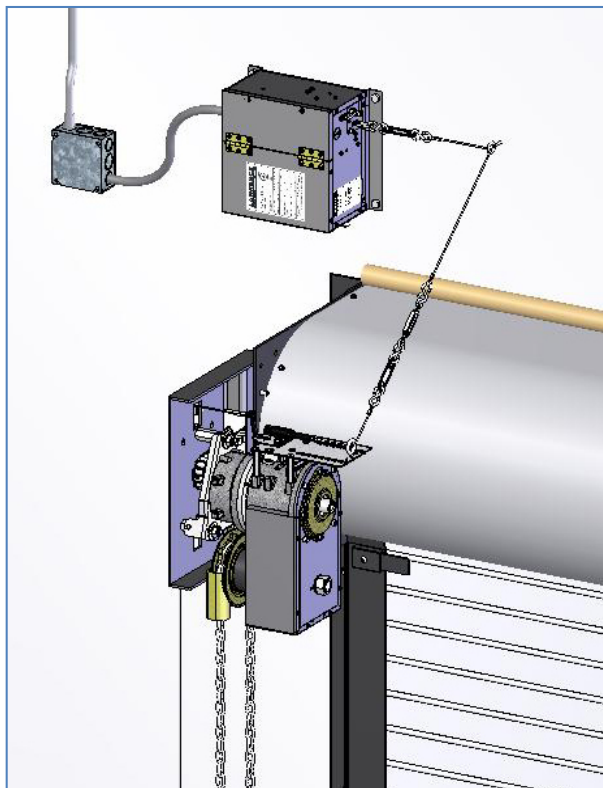


LAWRENCE
DOORS

SCAN
FOR MORE
INFORMATION



The Lawrence Model AR-D is a failsafe time delayed fire door release device with a constantly energized solenoid that will cause a fire door to close after a preset time delay upon either a loss of power or an initiation signal from a fire alarm control panel or local detectors.



AR-D Alarm Release shown with "Easy-Reset" Chain Operated Fire Door

Standard Features

- Listed by UL and California State Fire Marshal (CSFM)
- UL864 compliant device without the need for an uninterruptible power supply
- For use on new or existing manual or motor operated roll-up or sliding fire doors
- Powered by either building current, fire alarm control panel or UL1481 power supply
- Initiated by either local detectors or fire alarm control panel
- Time delayed release (approx. 10 seconds) upon initiation or power loss
- External test button and LED indicators for input power, latching and arming status, and door in closed position (optional feature)
- Simplified installation with "Set-Tie" system to secure release latch until power is connected

Optional Features

- Audible/visible or voice warning devices (2 max.) activated upon initiation to warn of impending fire door closing for up to 1 minute
 - Closed position detection to prevent release of a fire door that is already closed (when connected to a compatible motor operator limit switch or external proximity switch)
- NOTE: Warning & closed position features function only when power is present*
- Available as Model AR-D2 with 7-day battery backup and additional features

Mounting

- Standard wall mount for right-side pull
- Can be rotated 90° for bottom-pull or 180° for left-side pull (with test button/indicator lights on top), or ceiling mount
- Must be installed with UL Listed fusible links
- For use in indoor locations – Max. 122° F [50° C] to Min. 23° F [-5° C] non-icing, 85% non-condensing humidity (NEMA 1 enclosure)
- Supports up to 50 lbs. maximum pull (supporting structure and anchoring must be adequate to support total weight of release and max. pull – approx. 65 lbs.)
- Approximate overall dimensions 11" W x 10" H x 6" D

Electrical Characteristics

- Universal input voltage: 100~240VAC, 24VAC/DC, 60Hz or 50Hz
- Standby/full load amps: 100~240VAC - 0.15~0.1A/0.5~0.25A, 24VAC - 0.6A/1.5A, 24VDC - 0.2A/1.6A (Full load amps only required for optional warning devices)
- Output voltage: 24VDC - 0.5A (48 ft. maximum wire length)
- Initiation signal: Form C dry contact, 24VAC/DC (max. impedance 12.2 ohms)
- Wiring: 18 gauge recommended



AR-D

The AR-D is a suitable replacement for most existing release devices – verify compatibility with input voltage, initiation signal, and any ancillary devices.