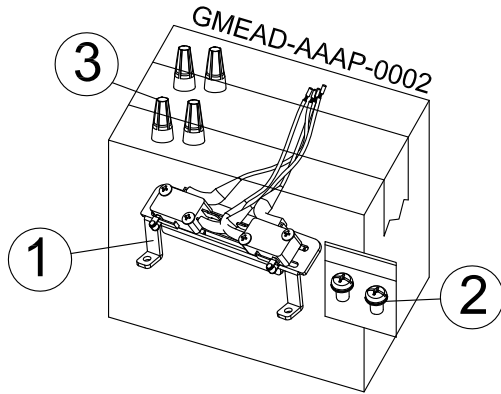


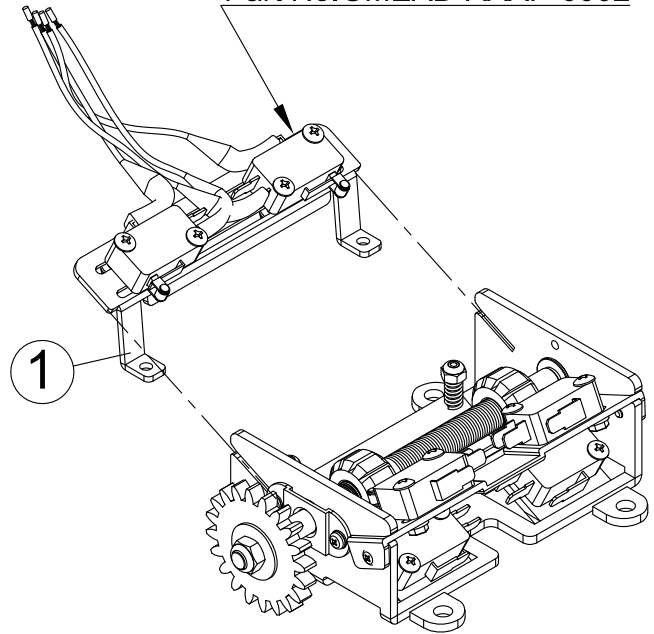
Auxiliary Limit Switch Set Installation

INST-GMEAD-AAAP-0002-V03



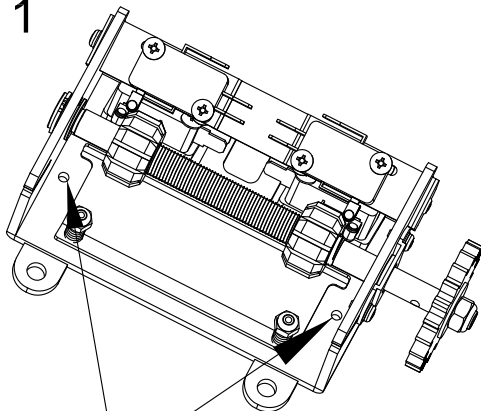
STEP 2

Auxiliary Limit Switch Set
Part No:GMEAD-AAAP-0002



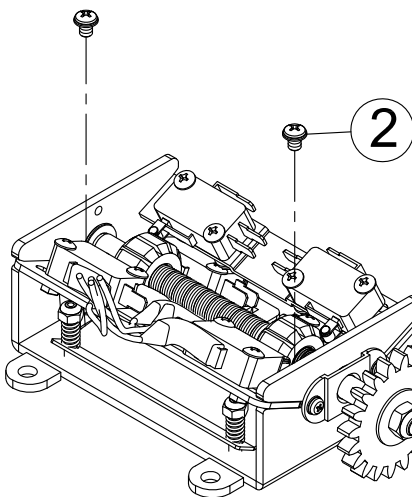
Install the auxiliary limit switch set into the slot.

STEP 1



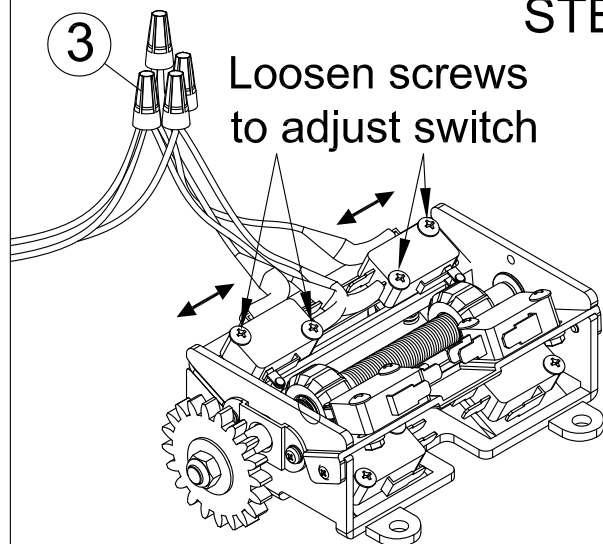
The holes for installing auxiliary limit switch set.

STEP 3

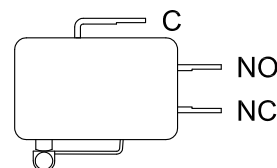


Fasten with the two screws provided.

STEP 4



Loosen screws to adjust switch



(10A, 250VAC)

Completed.