



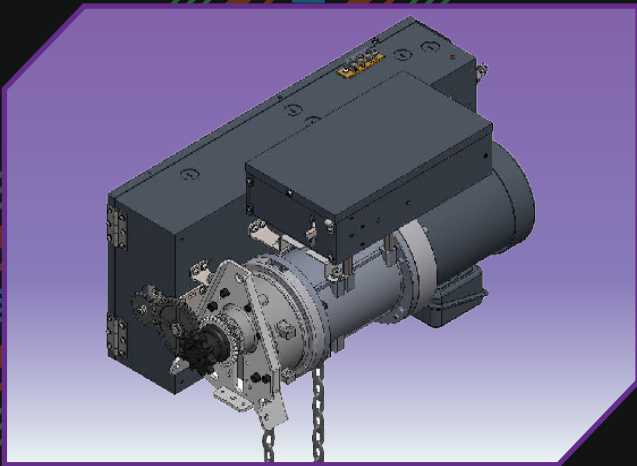
# Gateway™

## SERIES

Discover the future of security and safety with the Lawrence Gateway™ Series, our industry-first rolling doors and grilles that are both “Fail-Safe” and “Fail-Secure”. Our Selectable Functions allow you to specify whether your doors and grilles should automatically open for emergency egress during an alarm or power loss, or remain safely closed when the power goes out until an alarm or other command opens them for egress.

### FEATURES INCLUDE:

- “Fail-Safe” function to automatically open upon power loss or alarm.
- Patented “Fail-Secure” function with internal battery backup holding brake to remain closed during power loss for up to 8 hours (16 hours with supplemental battery backup) but still provide automatic opening functions.
- 115v-1ph, 230v-1ph, 208/230v-3ph or 460v-3ph power sources.
- 20,000 operating cycles standard; up to 50,000 or 100,000 cycle design for long-life and high-cycle applications.
- Max size for roll up doors - 20' wide by 16' high.



### COMMON APPLICATIONS:

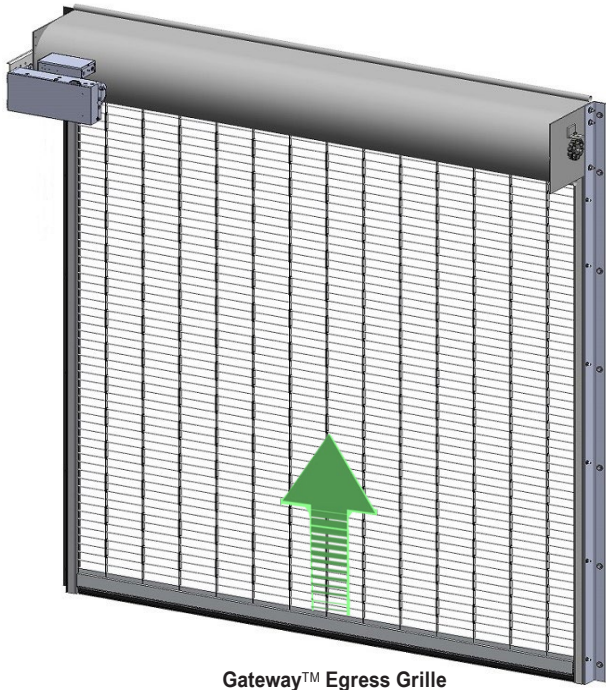
- Hospitals
- Storefronts
- Parking Structures
- Schools/Colleges

**LAWRENCE**  
**DOORS**

SCAN  
FOR MORE  
INFORMATION



The Lawrence Gateway™ Series is another industry first – rolling doors and grilles that are both “Fail-Safe” and “Fail-Secure”! Selectable functions allow doors and grilles to open automatically without any power source for emergency egress upon alarm or building power loss... or remain closed during a power outage, yet able to automatically open during alarm, by activation of emergency exit button, or secure access by emergency responders. Gateway™ Doors and Grilles provide controlled egress and secure access for interior spaces, storefronts, parking structures and other commercial and institutional applications.



### Standard Features

- Grilles with aluminum SL9 inline link curtain pattern
- Service doors with ventilated or solid slat curtains
- UL Listed inline gear drive motor operator, 1/2 HP minimum, with integral brake release and speed governor to control automatic opening, auxiliary chain hoist, adjustable limit switches, cycle counter, reclose timer
- “Fail-Safe” function to automatically open upon power loss or alarm
- “Fail-Secure” function with internal battery backup holding brake to remain closed during power loss for up to 8 hours [16 hours with supplemental battery backup] but still provide automatic opening functions
- 115v-1ph, 230v-1ph, 208/230v-3ph or 460v-3ph power sources
- Battery indicator to monitor battery life

### Optional Features

- 50,000 or 100,000 cycle designs for long-life and high-cycle applications
- Alternate slat profiles, grille curtain patterns and finishes
- “Auto-Latch” mechanisms to resist forced opening of closed grille curtain (inoperable when grille is opened with motor operator)
- Variety of access controls and sensing devices

### Selectable Functions

- Standard “Fail-Safe” function opens door or grille after a 10 second delay upon a loss of power or alarm/detector initiation
- “Fail-Secure” option prevents door or grille from opening during a power loss for up to 8 hours – or up to 16 hours with supplemental battery pack – but allows automatic opening upon alarm/detector initiation, or activation of lighted emergency exit button
- “Auto-Reclose” option will automatically close door or grille after power is restored and alarm is cleared – can be used with either “Fail-Safe” or “Fail-Secure” functions (requires door or grille be provided with a monitored sensing edge and/or photo eye)
- Optional lighted wall mount exit button for “Fail-Safe” function will open door or grille in an emergency when power is present
- Optional wall mount test switch to verify alarm activated automatic-opening function
- Optional secure control for “Fail-Secure” function will allow first responder access to open door or grille from entry side in an emergency

### Standard Clearances

- Head clearance – most products up to 16 ft. high fit within 23” or less
- Side clearance – most products fit within 6” at each side
- Consult factory for size limits and exact clearances

Lighted  
Exit Button



Inspectors  
Test  
Switch



Battery  
Indicator



Gateway™ construction is available on select models and sizes of Lawrence Service Doors and Grilles.