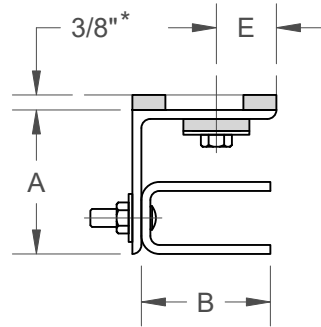
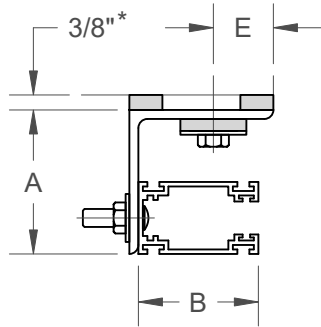


GRILLES
(SG & HG)

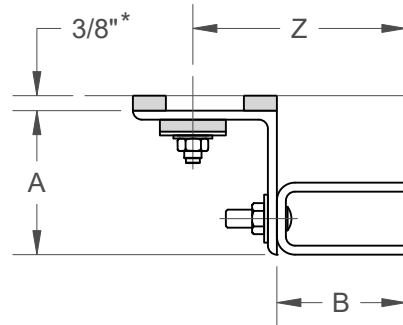
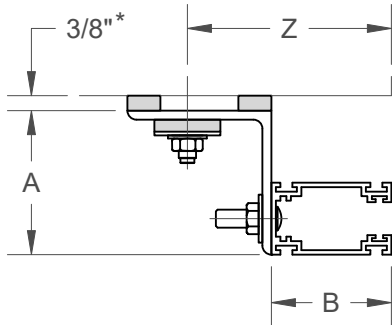
SERVICE DOORS

FACE MOUNT



E-GUIDE
(NON MASONRY JAMBS)

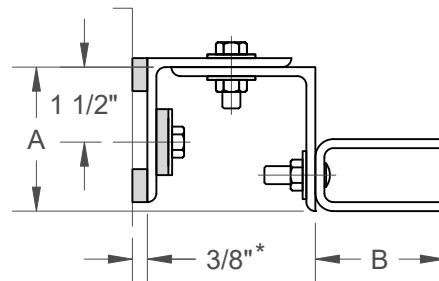
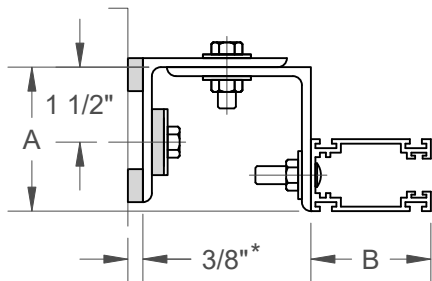
E-GUIDE
(NON MASONRY JAMBS)



Z-GUIDE
(MASONRY JAMBS)

Z-GUIDE
(MASONRY JAMBS)

BETWEEN JAMB MOUNT



NOTES:

1. DUAL ISOLATION SYSTEM WITH NEOPRENE ISOLATION STRIPS AND WASHERS (SHOWN IN GREY) TO BE FIELD INSTALLED PER INSTRUCTIONS.
2. AVAILABLE ON SERVICE DOORS TO 20' WIDE, 16' HIGH WITHOUT WINDLOCKS.
3. AVAILABLE ON GRILLES TO 30' WIDE.
4. FOR A, B, Z & E DIMENSIONS REFER TO GUIDE DETAILS.
5. *3/8" DIMENSION IS TYPICAL ALLOWANCE FOR ISOLATION STRIPS BUT MAY VARY BASED UPON ACTUAL COMPRESSION.