

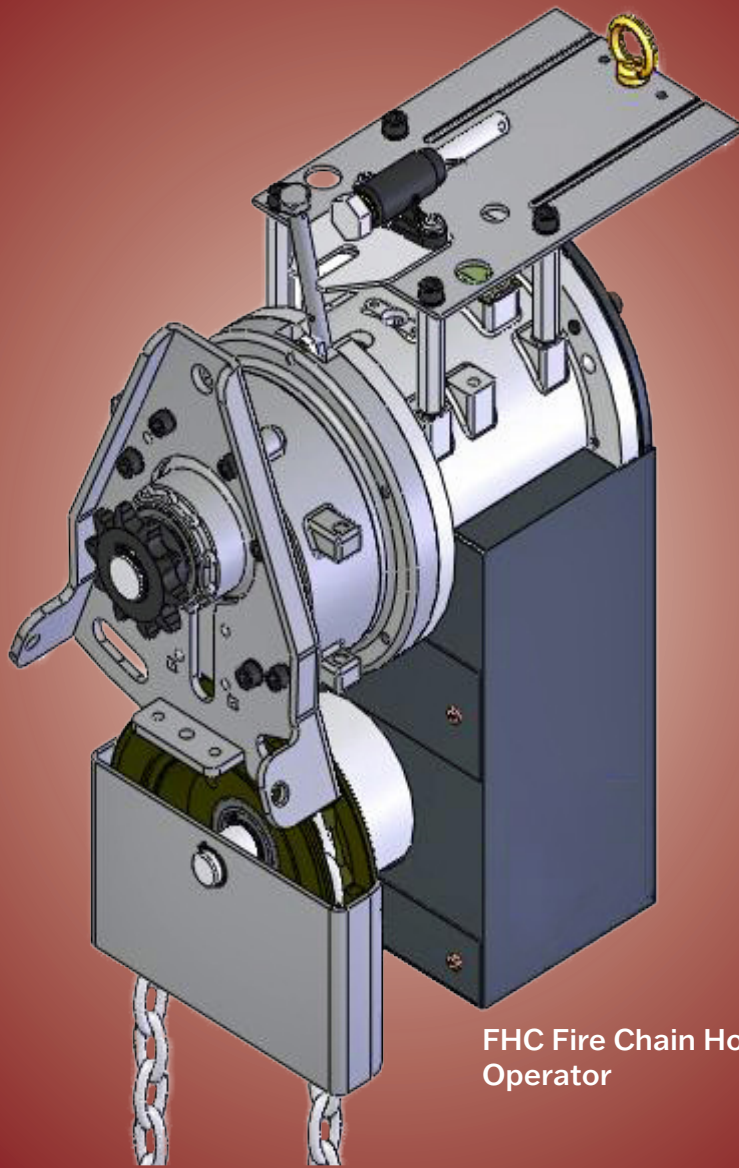
RETROFIT

FIRE DOOR OPERATORS

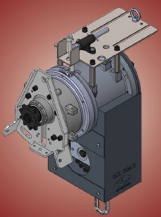
The Lawrence Doors Retrofit Fire Door Operators is a cutting-edge solution designed to modernize your existing rolling fire doors with state-of-the-art technology. Engineered for easy testing, resetting, and unmatched reliability, these operators bring the advanced control and safety of modern fire door systems to your older fire doors. UL Classified and FM Approved, they're compatible with most door types and brands, ensuring top-tier performance and peace of mind.

FEATURES INCLUDE:

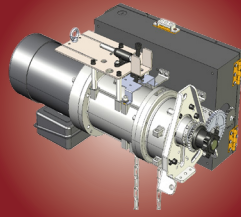
- "Easy Reset" function - Fusible link activated closing through the operators internal release and governor.
- "Auto Reset" function - Time delayed automatic closing upon activation of alarm or failsafe closing upon power loss and is automatically reset when the fire alarm is cleared and power is restored.
- Environmental modifications available (Explosion proof, corrosion resistant, water, oil, and dust tight.)



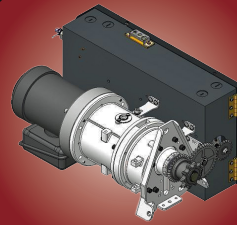
FHC Fire Chain Hoist Operator



FHK Fire Awning Crank Operator



FGH Fire Motor Operator



FS Auto-Reset Fire Motor Operator

LAWRENCE
DOORS

RETROFIT
FORM



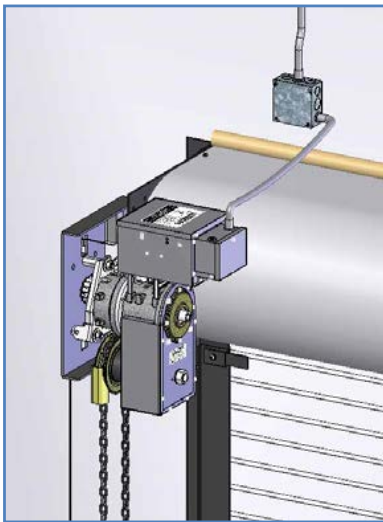
SCAN
FOR MORE
INFORMATION



Retrofit fire door operators provide state-of-the-art technology for existing rolling fire doors. When retrofitted, even older doors can be tested and reset easily, and operate with the reliability and extraordinary descent control found only in the most advanced fire door systems available today. Retrofit operators are Underwriters Laboratories (UL) Classified and FM Approved for installation on most types and brands of existing rolling fire doors. They eliminate awkward and unreliable spring tension release mechanisms and replace traditional operating and governor systems. They may also be installed to replace similar type failsafe operating systems. All retrofit fire door operators feature an internal release and governor to provide automatic closing without a loss of spring tension and eliminate the need for traditional mechanical reset.



NOTE: Retrofit fire door operators may not be the proper solution to all causes of improperly operating fire doors. Lawrence Doors reserves the right to refuse to sell a retrofit operator in any case where it is deemed to be not appropriate for the intended application.



FHC Retrofit Chain Operator with AR-C Auto-Reset Conversion

“Easy-Reset” Chain*, Crank* and Motor Operators (Models FHC, FHK, FGH, FGRL)**

Provide fusible link activated closing through the operator’s internal release and governor. To reset, reconnect the fusible link cable and open the door.

* Hand chain or removable awning crank handle is used to open the door – convenient pull cable is used to close or stop the door at any position. A locking handle release in a surface or flush mount enclosure can be optionally provided to prevent unauthorized closing.

“Auto-Reset” Conversion# (Model AR-C)

The fusible link release module on new or existing Easy-Reset operators can be replaced with an optional Auto-Reset Conversion module to provide basic Auto-Reset functions with time delayed automatic closing upon activation of alarm, or failsafe closing upon a loss of power, and is automatically reset when the alarm is cleared and power is restored. Optional wall mount test switch to verify alarm-activated automatic closing function is available.

AR-C Auto-Reset conversion modules are field installed and require connection to a detector/alarm dry contact and a 115vac power source.

“Auto-Reset” Motor Operator (Models FS, FSML)**

- Alarm activated closing controlled by governor when power is present
- Fail safe activated closing controlled by governor upon power loss
- Provision for connection of fusible link (when required by AHJ)
- Selectable time delayed closing functions
- Selectable obstruction sensing, cycling and reversing functions (Requires the door be provided with a monitored sensing edge – power must be present and sensing edge must be functioning properly.)
- Selectable automatic re-open function after alarm is cleared and power is restored
- Battery backup to prevent door closing due to loss of power, and audible/visible/voice warnings, are available options
- Optional wall mount test switch to verify alarm-activated automatic closing function



Inspectors Test Switch



R-BBU Battery Backup

FS Auto-Reset Retrofit Motor Operator



**Models FGRL and FSML include an internal lock sensor to stop opening of door upon sensing that locks are engaged.

NOTE: “Auto-Reset” operators also allow for fusible link release if required by the Authority Having Jurisdiction, but if activated will require reconnection of the fusible link cable to reset. Model FS “Auto-Reset” Motor Operators do not have an auxiliary chain hoist for emergency operation – if an auxiliary chain hoist is required, a Model FGH Motor Operator with Model AR-C “Auto-Reset” Conversion should be considered. RBB-U battery backup is available on FS “Auto-Reset” Motor Operators and can be provided with an extended battery pack to increase backup time from up to 7 hours to up to 21 hours (depending on HP).